



# mediahub

## User Manual



### ENCLOSURES:

MHUB-ENC100-X (ON-TABLE)

MHUB-ENC101-X (IN-TABLE)

### CARTRIDGES:

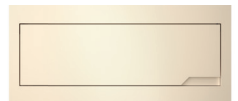
MHUB-CART-TPR150-X-XX

MHUB-CART-SHD310-X-XX

### MODULES:

MHUB-TPR-150CR

MHUB-SHD-310SM







## TABLE OF CONTENTS

1   Description . . . . .	4
2   Technical Specifications . . . . .	4
3   Use . . . . .	5
4   Product Configuration . . . . .	5
5   Assembly Instructions . . . . .	6
6   Connection . . . . .	7
7   Caution . . . . .	7



## 1 | DESCRIPTION

mediahub™ by PureLink are devices designed for fixed horizontal interior installation. They can be mounted into almost any table, desk or other furniture item. mediahub™ enables access to international power sockets for charging notebooks and phones, etc. They also provide access to data networks and audio-visual components. Other options include keypad control systems for peripheral and room control. The connecting panels are made of laser cut stainless steel, wet-coated with varnish in a variety of color options and combinations. The interchangeable 230V sockets are mounted inside as a fixed part of the chassis.

## 2 | TECHNICAL SPECIFICATION

Power sockets for low-voltage connection	230V, 50 Hz, 16A
Protection	IP 20

Low-voltage connection:

- WAGO WINSTA clamps inside the panel or
- Power cable with a plug leading outside the panel

Standard connectors	2x interchangeable power outlets
	2x USB-A sockets (2.1A)
	1x RJ45 (Ethernet)

### Specific connectors MHUB-TPR-150CR for Daisy-Chain topologies

Inputs	1x 3.5 mm audio
	1x VGA D-SUB
	1x HDMI-A
	1x DisplayPort
	1x Daisy-Chain-In (RJ45-yellow)
	1x Ethernet (RJ45)
	1x RS232 (Phoenix)
	3x "Show-Me" PBS (phoenix)
Outputs	1x 12V power
	1x Daisy-Chain-Out (RJ45-yellow)

### Specific connectors MHUB-SHD-310SM for centralized topologies

Inputs	1x 3.5 mm audio
	1x VGA D-SUB
	1x HDMI-A
	1x DisplayPort
	1x RS232 (Phoenix)
	3x "Show-Me" PBS (phoenix)
Outputs	1x 12V power
	2x HDMI-A
	1x balanced stereo audio (5-pin Phoenix)



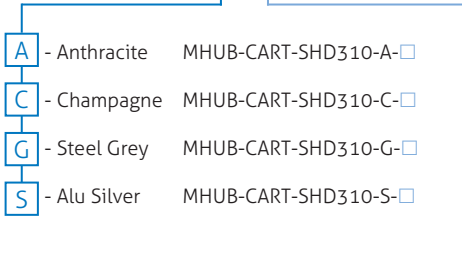
### 3 | USE

The mediahub™ installation should be done according to the user manual.

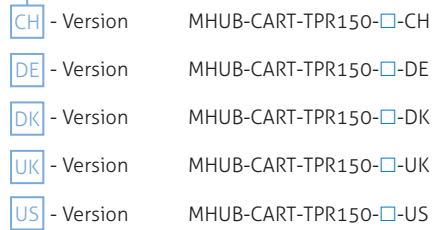
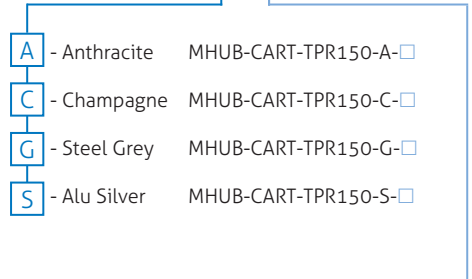
Only a qualified electrician or installer should attempt connection of this device to the mains power grid. Use only common mild cleaning products to clean the external parts. Do not clean the power socket with a damp towel. Do not use products containing ethylene, oil and aggressive solvents for cleaning. It could cause damage to the surface's varnish. Do not use rough and sharp objects for cleaning.

### 4 | PRODUCT CONFIGURATION

MHUB-CART-SHD310--



MHUB-CART-TPR150--



### POWER OUTLETS

The mediahub™ enclosures can be equipped with power outlets of nearly all national standards.



Specifications are subject to change without notice.  
Certified by TÜV-SÜD Czech.



## 5 | ASSEMBLY INSTRUCTIONS

- Adapted for horizontal installation into desks of thickness from 16 to 40 mm
- Mounted from the lower side of the table desk (mounting clamps with screws)

### Step 1:

Cut an opening in the table. For in-table installations add a cut-out for the rim:



Pic 1



Pic 2

Product type	Cut-out dimensions (mm)
MHUB-ENC100 - On-table (Pic. 1)	Hole: 270mm x 112mm
MHUB-ENC101 - In-table (Pic. 2)	Hole: 270mm x 112mm Rim cut-out: See schematics for full specs

### Step 2:

Carefully insert the mediahub™ into the prepared opening and check if it fits.

### Step 3:

Take the mounting brackets under the table and insert them into openings on both sides of the unit (either longer or shorter side of the box).

### Step 4:

Secure them and screw the unit up slightly against the board with M6x40 screws.

### Step 5:

Verify proper alignment of the mediahub™ against the table desk, move them into the right position if need and finally tighten the screws.



## 6 | CONNECTION

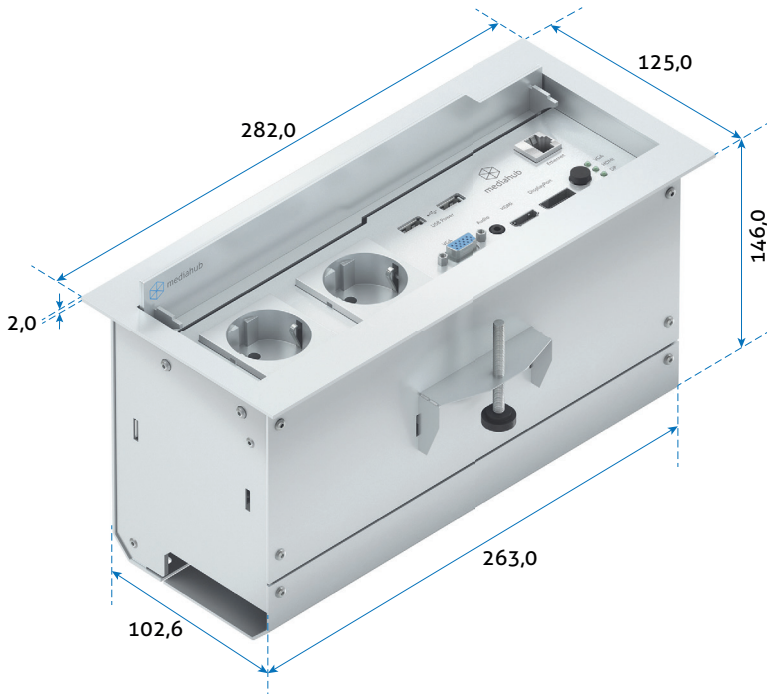
The mediahub™ features easy access: Only one cover, fixed by one screw.

### Step 1:

Unscrew the cover and connect the cables or connectors inside the mediahub™.

### Step 2:

After connecting, reattach the cover firmly.



## 7 | CAUTION

Assembly instructions are subject to change without notice. The surface of the mediahub™ must be cleaned only with non alcohol based cleaners.



mediahub

### PureLink GmbH

Von-Liebig-Straße 10  
D - 48432 Rheine  
Germany

Telefon: 0049 (0)5971-800 299 -0  
Fax: 0049 (0)5971-800 299 -99

E-mail: [info@purelink.de](mailto:info@purelink.de)  
Internet: [www.purelink.de](http://www.purelink.de)

© 2016 PureLink GmbH. All rights reserved.  
All trade names are registered trademarks of  
respective manufactures listed.  
HDMI is a trademark of HDMI Licensing LLC.

V. 1.1

