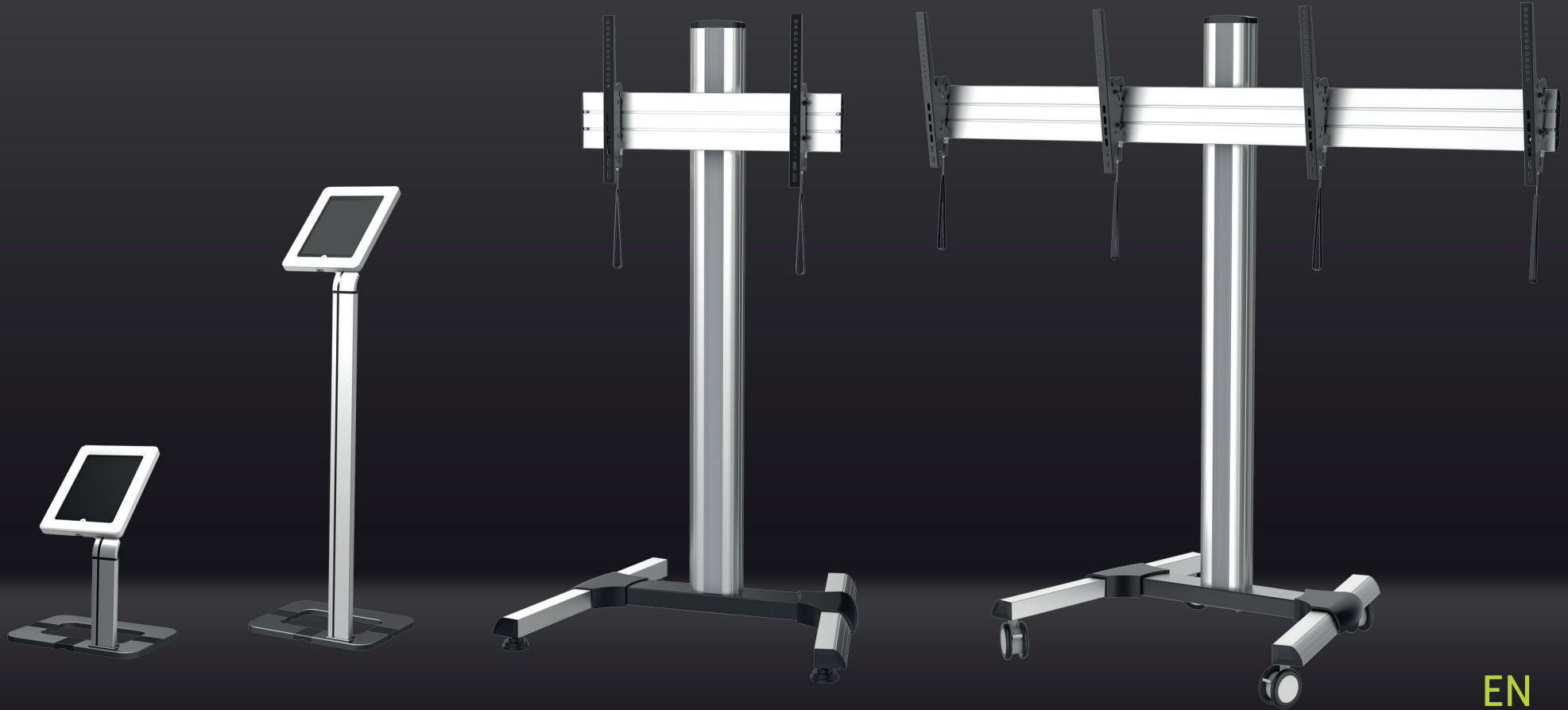


PUREMounts[®] DS

PROFESSIONAL MOUNTING SOLUTION



PureMounts - Display Mounting Systems for Professionals

PureLink's new product series **PureMounts DS**, designed for mounting and presenting multimedia displays, is now available, offering digital signage solutions and other stand / cart options.

Regardless of your mounting needs, **PureMounts DS** has the solution for you - mounts for walls and ceilings as well as stands for all kinds of displays – TVs, public displays, digital signage displays, tablets, etc.

The featured display mounting systems are safe to use and protect your devices from accidents and theft. Whether you want to attach a device to a wall,

need the display in the middle of the room or for a mobile application – **PureMounts DS** has easy to use solutions for every scenario.

PureMounts DS products are developed and designed by professionals for professionals. Sturdy, die cast or milled armatures combined with a durable powdercoat finish, ensure reliable security and robustness for your individual application.

The stands, carts and mounts utilize state of the art technology and are designed with market trends in mind to create an impressive range of future-proof products.

PureMounts DS tripods and stands come with a full set of features, such as adjustable height, rollers or fixed base feet and are suitable for up to a six display video wall.

The tablet mounts, made of lightweight and durable aluminium or steel, come with advanced anti-theft features though still allowing for full functionality while in operation. For all your connection needs and more, **PureMounts DS** offers a broad selection of accessories, such as adapters, laptop cabinets and camera compartments.

TABLE OF CONTENTS

FLOOR CARTS PDS-00 SERIES 4/5

PDS-0001C	TV FLOOR CART SINGLE DISPLAY	6
PDS-0011C	TV FLOOR CART SINGLE DISPLAY	7

FLOOR STANDS & CARTS PDS-1000 SERIES 8/9

PDS-1001S	TV FLOOR STAND SINGLE DISPLAY	10
PDS-1001C	TV FLOOR CART SINGLE DISPLAY	11
PDS-1002S	TV FLOOR STAND DUAL DISPLAY	12
PDS-1002C	TV FLOOR CART DUAL DISPLAY	13
PDS-1101S	TOUCH SCREEN FLOOR STAND SINGLE DISPLAY	14
PDS-1101C	TOUCH SCREEN FLOOR CART SINGLE DISPLAY	15
PDS-1201S	MONITOR FLOOR STAND SINGLE DISPLAY	16
PDS-1201C	MONITOR FLOOR CART SINGLE DISPLAY	17
PDS-1501	ACCESSOIRE CAMERA SHELF	18
PDS-1502	ACCESSOIRE AV/BD SHELF	18
PDS-1503	ACCESSOIRE LAPTOP CABINET	19
PDS-1504	ACCESSOIRE CPU HOLDER	19
PDS-1000	FLOOR STANDS & CARTS SUMMARY	20

FLOOR STANDS & CARTS PDS-2000 SERIES 22/23

PDS-2001S	TV FLOOR STAND SINGLE DISPLAY	24
PDS-2001C	TV FLOOR CART SINGLE DISPLAY	25
PDS-2002S	TV FLOOR STAND DUAL DISPLAY	26
PDS-2002C	TV FLOOR CART DUAL DISPLAY	27
PDS-2011S	TV FLOOR STAND LARGE DISPLAY	28
PDS-2011C	TV FLOOR CART LARGE DISPLAY	29
PDS-2021S	TV FLOOR STAND ROTATE SINGLE DISPLAY	30
PDS-2021C	TV FLOOR CART ROTATE SINGLE DISPLAY	31
PDS-2032S	TV FLOOR STAND BACK TO BACK DUAL DISPLAY	32
PDS-2032C	TV FLOOR CART BACK TO BACK DUAL DISPLAY	33
PDS-2101S	TOUCH SCREEN FLOOR STAND SINGLE DISPLAY	34
PDS-2101C	TOUCH SCREEN FLOOR CART SINGLE DISPLAY	35
PDS-2201S	MONITOR FLOOR STAND SINGLE DISPLAY	36
PDS-2201C	MONITOR FLOOR CART SINGLE DISPLAY	37
PDS-2501	ACCESSOIRE CAMERA SHELF	38

PDS-2502	ACCESSOIRE AV/BD SHELF	38
PDS-2503	ACCESSOIRE AV/BD CABINET	39
PDS-2504	ACCESSOIRE LAPTOP CABINET	39
PDS-2505	ACCESSOIRE CPU HOLDER	39
PDS-2000	FLOOR STANDS & CARTS SUMMARY	40/41

VIDEO WALL FLOOR STANDS & CARTS + WALL-MOUNTS PDS-2000 SERIES 42/43

PDS-2302S	VIDEO WALL FLOOR STAND DUAL DISPLAY	44
PDS-2302C	VIDEO WALL FLOOR CART DUAL DISPLAY	45
PDS-2303S	VIDEO WALL FLOOR STAND TRIPLE DISPLAY	46
PDS-2303C	VIDEO WALL FLOOR CART TRIPLE DISPLAY	47
PDS-2304S	VIDEO WALL FLOOR STAND QUAD DISPLAY	48
PDS-2304C	VIDEO WALL FLOOR CART QUAD DISPLAY	49
PDS-2402	VIDEO WALL WALL-MOUNT DUAL DISPLAY	50
PDS-2000	VIDEO WALL PRODUCTS SUMMARY	51

TABLET MOUNTS & ENCLOSURES PDS-5000 SERIES 52/53

PDS-5500	TABLET ENCLOSURE & STAND UNI SMALL	54
PDS-5510	TABLET ENCLOSURE & STAND UNI MEDIUM	55
PDS-5520	TABLET ENCLOSURE & STAND UNI TALL	56
PDS-5600	TABLET ENCLOSURE & TILT STAND SMALL APPLE	57
PDS-5610	TABLET ENCLOSURE & TILT STAND SMALL SAMSUNG	57
PDS-5620	TABLET ENCLOSURE & TILT STAND TALL APPLE	58
PDS-5630	TABLET ENCLOSURE & TILT STAND TALL SAMSUNG	59
PDS-5700	LOCKABLE TABLET ENCLOSURE ALU BLACK	60
PDS-5701	LOCKABLE TABLET ENCLOSURE ALU WHITE	60
PDS-5702	LOCKABLE TABLET ENCLOSURE ALU SILVER	60
PDS-5710	LOCKABLE TABLET ENCLOSURE STEEL BLACK	60
PDS-5711	LOCKABLE TABLET ENCLOSURE STEEL WHITE	60
PDS-5712	LOCKABLE TABLET ENCLOSURE STEEL SILVER	60
PDS-5800	TABLET WALL BASE BLACK	61
PDS-5801	TABLET WALL BASE WHITE	61
PDS-5802	TABLET WALL BASE SILVER	61
PDS-5000	TABLET ENCLOSURES & STANDS SUMMARY	62/63

FLOOR CARTS OVERVIEW

PDS-00 SERIES

The universal presentation solution!

A small range of TV floor carts designed to be stylish yet functional. Built with customized installations in mind, and coupled with a full line of useful accessories, they will fulfill the needs of all modern presentations.

The carts are fitted with a height adjustment feature, allowing quick and easy corrections to the viewing angle. The lockable wheel system with reinforced materials provides smooth positioning. The systems securely support the combined equipment's weight.

The perfect combination of light weight and load bearing construction materials and also its quick release design make it ideal for conferences, public displays or other professional applications.

Maximum flexibility
with tilt and leveling
functions

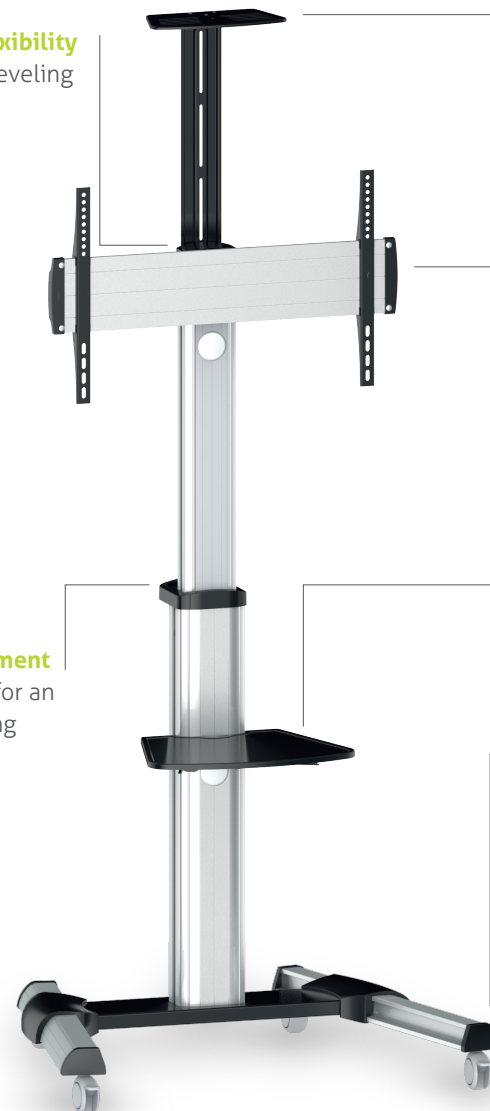
Height adjustable shelf
to fit different camera
models

Smooth lateral shift
ensures perfect fit of
different TV sizes

Height adjustment
without tools for an
optimal viewing
experience

Steel shelf
with excellent loading
capacity

Lockable wheels
and a solid base provide
perfect security



FLOOR CARTS OVERVIEW

PDS-00 SERIES



Height adjustable shelf
to fit different camera
models



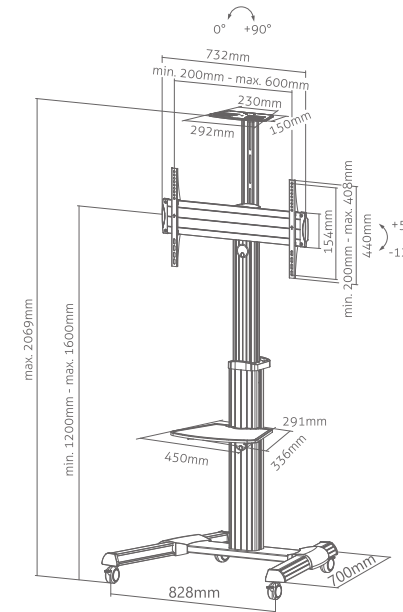
Steel shelf
with excellent loading
capacity



Art.-No.	Description	Screen	VESA	Max. weight	Functions	No. of screens
PDS-0001C	TV Floor Cart Single Display	37"–70"	200x200 – 600x400	50kg	Tilt: +5°~-12° Rotate: 0° – +90°	1
PDS-0011C	TV Floor Cart Single Display	55"–100"	600x400 – 1000x600	80kg	Tilt: +5°~-10°	1

TV FLOOR CART SINGLE DISPLAY

PDS-00 SERIES



PDS-0001C

Single screen TV cart

- For TV's from 37" – 70"
- Max. VESA: 600x400mm
- Height adjustment
- Powder coated and oxidized
- Total height: 2.069mm
- Max. load capacity: 50kg
- Integrated cable management
- 4" shock absorbing wheels for max. stability



50kg



37" – 70"



0° – +90°



+5° ~ -12°



min. 200x200
max. 600x400



Cable
Management

PU

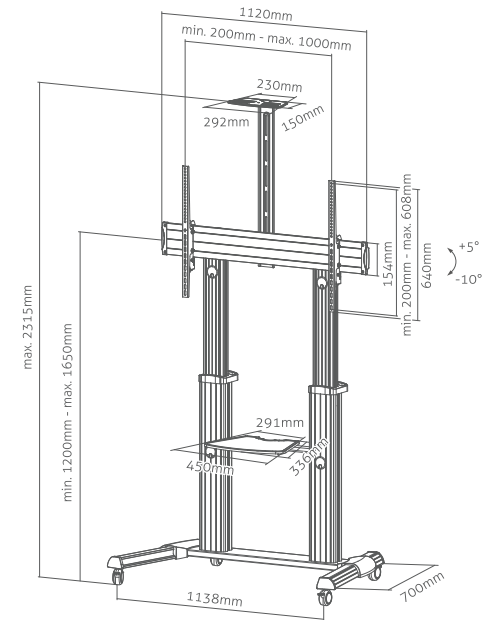
1

Box 1 (L/W/H) 1145x545mmx260mm

Weight 24.2kg

TV FLOOR CART SINGLE DISPLAY

PDS-00 SERIES



PDS-0011C

Single screen TV cart

- For TV's from 55" – 100"
- Max. VESA: 1000x600mm
- Height adjustment
- Powder coated and oxidized
- Total height: 2.315mm
- Max. load capacity: 80kg
- Integrated cable management
- 4" shock absorbing wheels for max. stability



80kg



55" - 100"



+5° ~ -10°



min. 600x400
max. 1000x600



Cable
Management

PU

1

Box 1 (L/W/H) 1225x670x260mm

Weight 33.4kg

FLOOR STANDS & CARTS OVERVIEW

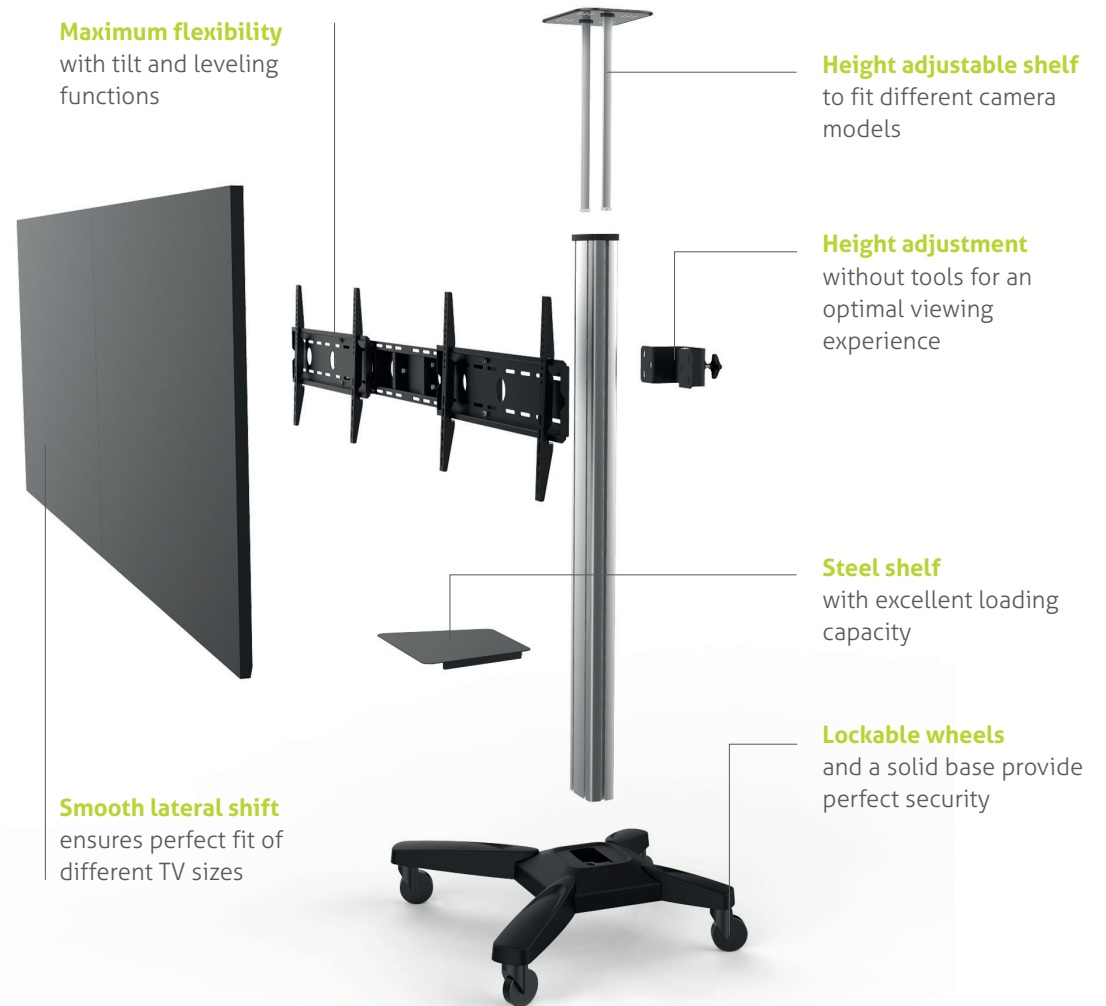
PDS-1000 SERIES

The solid presentation solution!

The **PDS-1000 floor stand series**, including a wide range of TV floor stands & carts with stylish and functional designs, are built for a customized installation and to fulfill the needs of modern presentations in combination with a full line of optional, helpful accessories.

The stands and carts allow for tool-less height adjustment for different viewing angles. You can choose between a lockable wheel system with reinforced materials, providing smooth positioning or a solid base with fixed feet. Both securely support the combined equipment's weight.

The perfect combination of light weight and load bearing construction materials and also its quick-release design make it ideal for conferences, public displays or other professional applications.

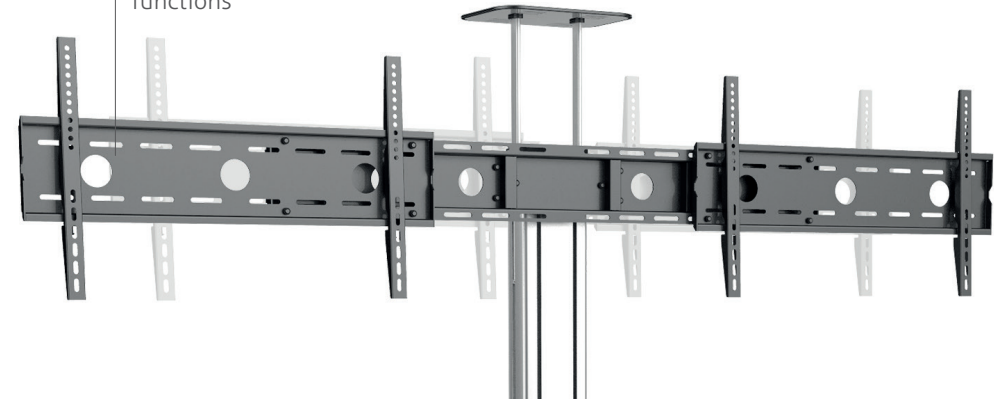


FLOOR STANDS & CARTS OVERVIEW

PDS-1000 SERIES



Height adjustable
to fit different camera models



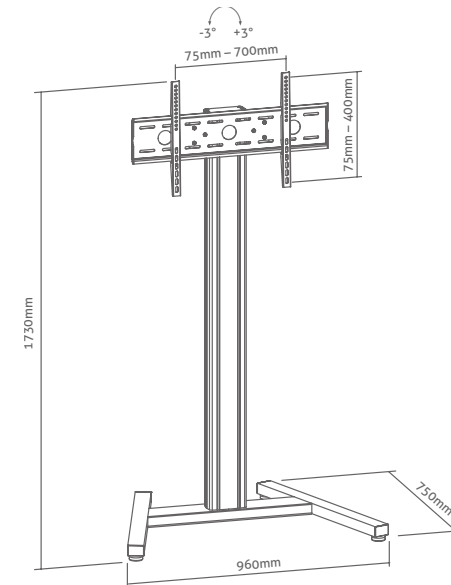
Maximum flexibility
with tilt and leveling functions

Art.-No.	Description	Screen	VESA	Max. weight	Functions	No. of screens
PDS-1001S	TV Floor Stand Single Display	37"–70"	200x200 – 600x400	80kg	Level: +3°~ -3°	1
PDS-1001C	TV Floor Cart Single Display	37"–70"	200x200 – 600x400	80kg	Level: +3°~ -3°	1
PDS-1002S	TV Floor Stand Dual Display	37"–60"	200x200 – 600x400	60kg	Level: +3°~ -3°	2
PDS-1002C	TV Floor Cart Dual Display	37"–60"	200x200 – 600x400	60kg	Level: +3°~ -3°	2
PDS-1101S	Touch Screen Floor Stand Single Display	37"–70"	200x200 – 600x400	70kg	Level: +3°~ -3°, Tilt: +45°~ +90°	1
PDS-1101C	Touch Screen Floor Cart Single Display	37"–70"	200x200 – 600x400	70kg	Level: +3°~ -3°, Tilt: +45°~ +90°	1
PDS-1201S	Monitor Floor Stand Single Display	37"–70"	200x200 – 600x400	70kg	Level: +3°~ -3°, Tilt: +45°~ +90°	1
PDS-1201C	Monitor Floor Cart Single Display	37"–70"	200x200 – 600x400	70kg	Level: +3°~ -3°, Tilt: +45°~ +90°	1

Art.-No.	Description	Material	Max. weight	Product size
PDS-1501	Camera shelf	steel & aluminium	10kg	300x225x520mm
PDS-1502	AV/BD shelf	steel	10kg	420x330x42mm
PDS-1503	Laptop cabinet	steel	10kg	409x356x83mm
PDS-1504	CPU holder	steel	10kg	235x220x154mm

TV FLOOR STAND SINGLE DISPLAY

PDS-1000 SERIES



PDS-1001S

Single screen TV stand with fixed feet base

- For TV's from 37" – 70"
- Max. VESA: 600x400mm
- Tool-less height adjustment
- Powder coated and oxidized
- Total height: 1730mm
- Max. load capacity: 80kg
- Integrated cable management
- Adjustable feet



80kg



37" - 70"



+3° ~ -3°



min. 200x200
max. 600x400



Cable
Management

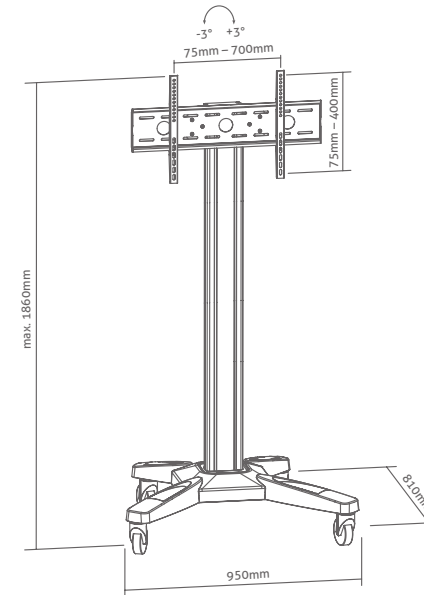
PU 1

Box 1 (L/W/H) 1646x218x130mm, 9.5kg

Box 2 (L/W/H) 1030x865x115mm, 10.6kg

TV FLOOR CART SINGLE DISPLAY

PDS-1000 SERIES



PDS-1001C

Single screen TV cart

- For TV's from 37" – 70"
- Max. VESA: 600x400mm
- Tool-less height adjustment
- Powder coated and oxidized
- Total height: 1860mm
- Max. load capacity: 80kg
- Integrated cable management
- 4" shock absorbing wheels for max. stability



80kg



37" - 70"



+3° ~ -3°



min. 200x200
max. 600x400



Cable
Management

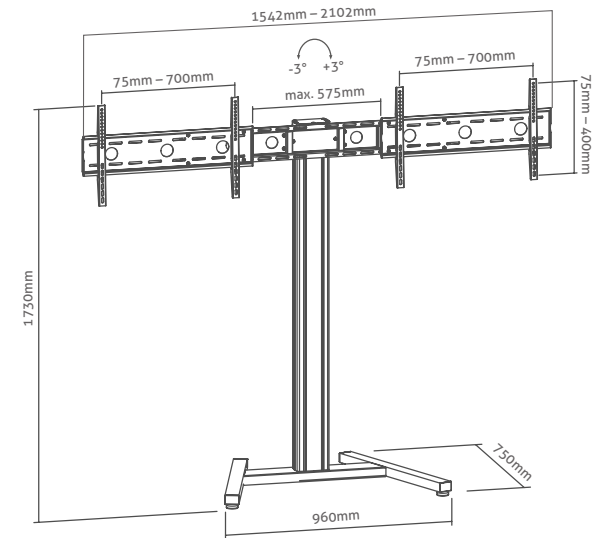
PU 1

Box 1 (L/W/H) 1646x218x130mm, 9.5kg

Box 2 (L/W/H) 1025x855x170mm, 21.0kg

TV FLOOR STAND DUAL DISPLAY

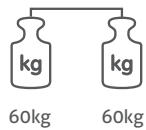
PDS-1000 SERIES



PDS-1002S

Dual screen TV stand with fixed feet base

- For TV's from 37" – 60"
- Max. VESA: 600x400mm
- Tool-less height adjustment
- Powder coated and oxidized
- Total height: 1730mm
- Max. load capacity: 60kg/screen
- Integrated cable management
- Adjustable feet



60kg 60kg



37" - 60"



+3° ~ -3°



min. 200x200
max. 600x400



Cable
Management

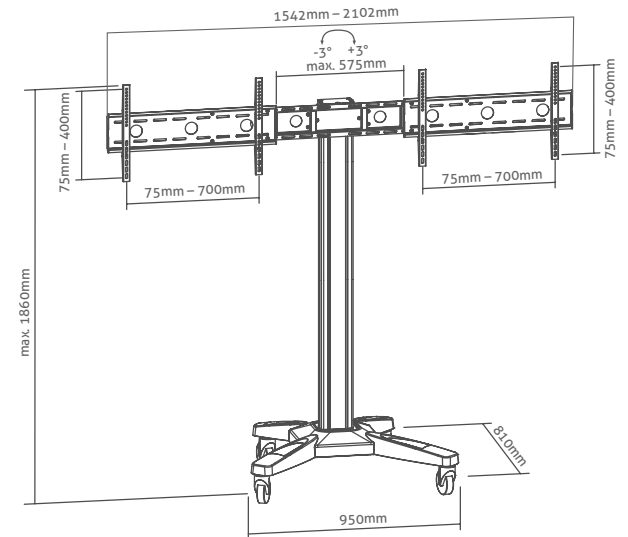
PU 1

Box 1 (L/W/H) 1646x218x170mm, 17.0kg

Box 2 (L/W/H) 1030x865x115mm, 10.6kg

TV FLOOR CART DUAL DISPLAY

PDS-1000 SERIES



PDS-1002C

Dual screen TV cart

- For TV's from 37" – 60"
- Max. VESA: 600x400mm
- Tool-less height adjustment
- Powder coated and oxidized
- Total height: 1860mm
- Max. load capacity: 60kg/screen
- Integrated cable management
- 4" shock absorbing wheels for max. stability

kg kg
60kg 60kg

↗
37" - 60"

↻
+3° - -3°

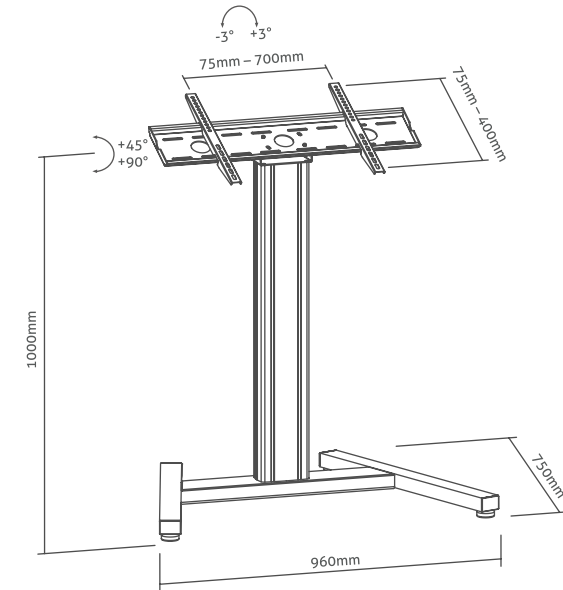
VESA
min. 200x200
max. 600x400

—
Cable
Management

PU 1
Box 1 (L/W/H) 1646x218x170mm, 17.0kg
Box 2 (L/W/H) 1025x855x170mm, 21.0kg

TOUCH SCREEN FLOOR STAND SINGLE DISPLAY

PDS-1000 SERIES



PDS-1101S

Single touch screen stand with fixed feet base

- For TV's from 37" – 70"
- Max. VESA: 600x400mm
- 45° – 90° tilt function
- Powder coated and oxidized
- Total height: 1000mm
- Max. load capacity: 70kg
- Integrated cable management
- Adjustable feet



70kg



37" - 70"



+3° - -3°



+45° - +90°



min. 200x200
max. 600x400



Cable
Management

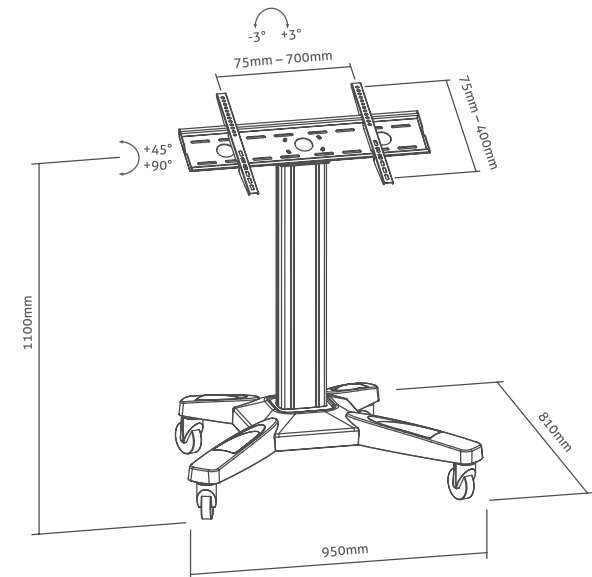
PU 1

Box 1 (L/W/H) 1228x218x130mm, 7.5kg

Box 2 (L/W/H) 1030x865x115mm, 11.0kg

TOUCH SCREEN FLOOR CART SINGLE DISPLAY

PDS-1000 SERIES



PDS-1101C

Single touch screen cart

- For TV's from 37" – 70"
- Max. VESA: 600x400mm
- 45° – 90° tilt function
- Powder coated and oxidized
- Total height: 1100mm
- Max. load capacity: 70kg
- Integrated cable management
- 4" shock absorbing wheels for max. stability



70kg



37" - 70"



+3° ~ -3°



+45° - +90°



min. 200x200
max. 600x400



Cable
Management

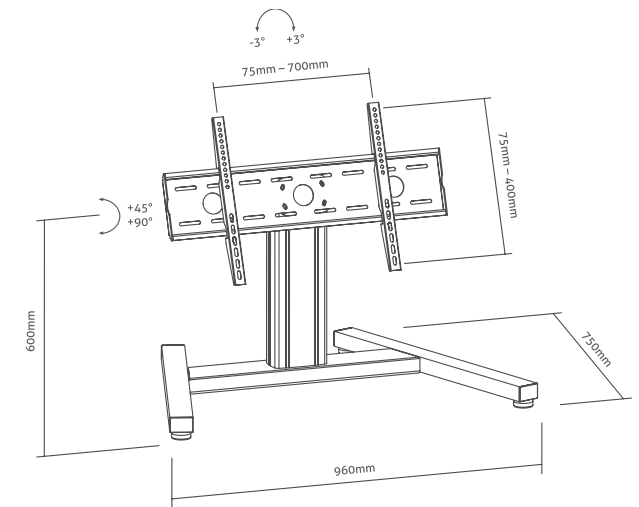
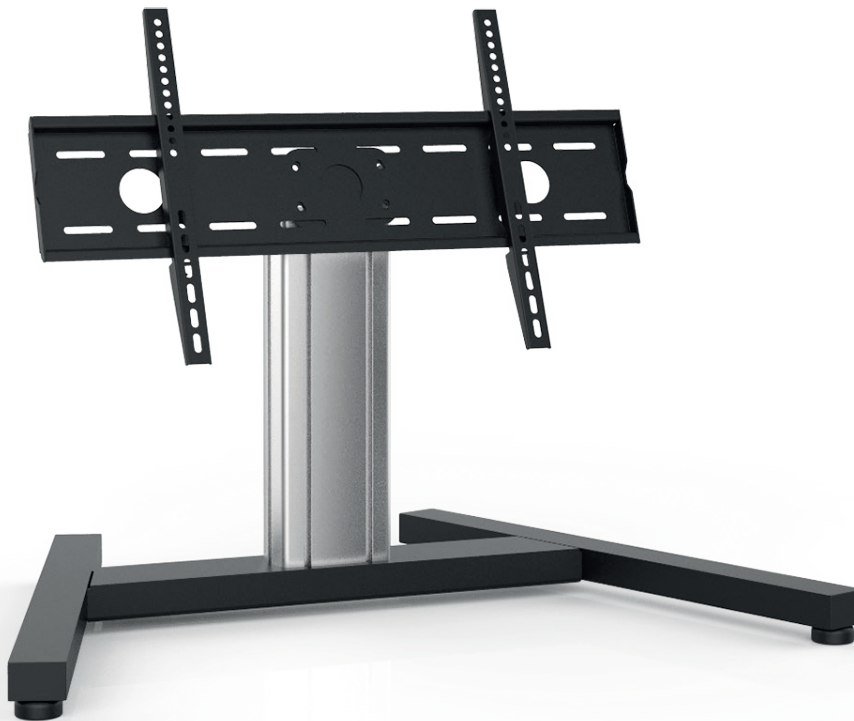
PU 1

Box 1 (L/W/H) 1228x218x130mm, 7.5kg

Box 2 (L/W/H) 1025x855x170mm, 21.0kg

MONITOR FLOOR STAND SINGLE DISPLAY

PDS-1000 SERIES



PDS-1201S

Single monitor stand with fixed feet base

- For TV's from 37" - 70"
- Max. VESA: 600x400mm
- 45° - 90° tilt function
- Powder coated and oxidized
- Total height: 600mm
- Max. load capacity: 70kg
- Integrated cable management
- Adjustable feet



70kg



37" - 70"



+3° ~ -3°



+45° - +90°



min. 200x200
max. 600x400



Cable
Management

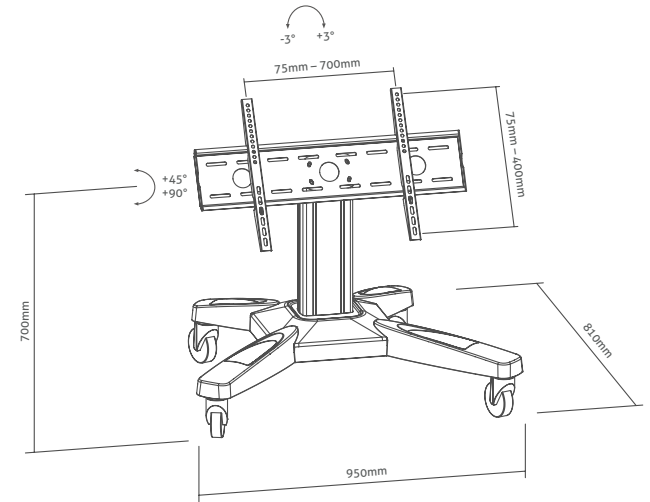
PU 1

Box 1 (L/W/H) 846x218x130mm, 6.5kg

Box 2 (L/W/H) 1030x865x115mm, 11.0kg

MONITOR FLOOR CART SINGLE DISPLAY

PDS-1000 SERIES



PDS-1201C

Single monitor cart

- For TV's from 37" - 70"
- Max. VESA: 600x400mm
- 45° - 90° tilt function
- Powder coated and oxidized
- Total height: 700mm
- Max. load capacity: 70kg
- Integrated cable management
- 4" shock absorbing wheels for max. stability



70kg



37" - 70"



+3° - -3°



+45° - +90°



min. 200x200
max. 600x400



Cable
Management

PU 1

Box 1 (L/W/H) 846x218x130mm, 6.5kg

Box 2 (L/W/H) 1025x855x170mm, 21.0kg

TV FLOOR STANDS & CARTS ACCESSORIES

PDS-1000 SERIES



PDS-1501

Solid camera shelf

- Accessories for PureMounts PDS-1000 series
- Steel with powder coating
- Product size: 300x225x520mm
- Max. loadable weight: 10kg

PU 1

Box 1 (L/W/H) 525x236x27mm

Weight 1.6kg

PDS-1502

AV/BD shelf

- Accessories for PureMounts PDS-1000 series
- Steel with powder coating
- Product size: 420x330mm
- Max. loadable weight: 10kg

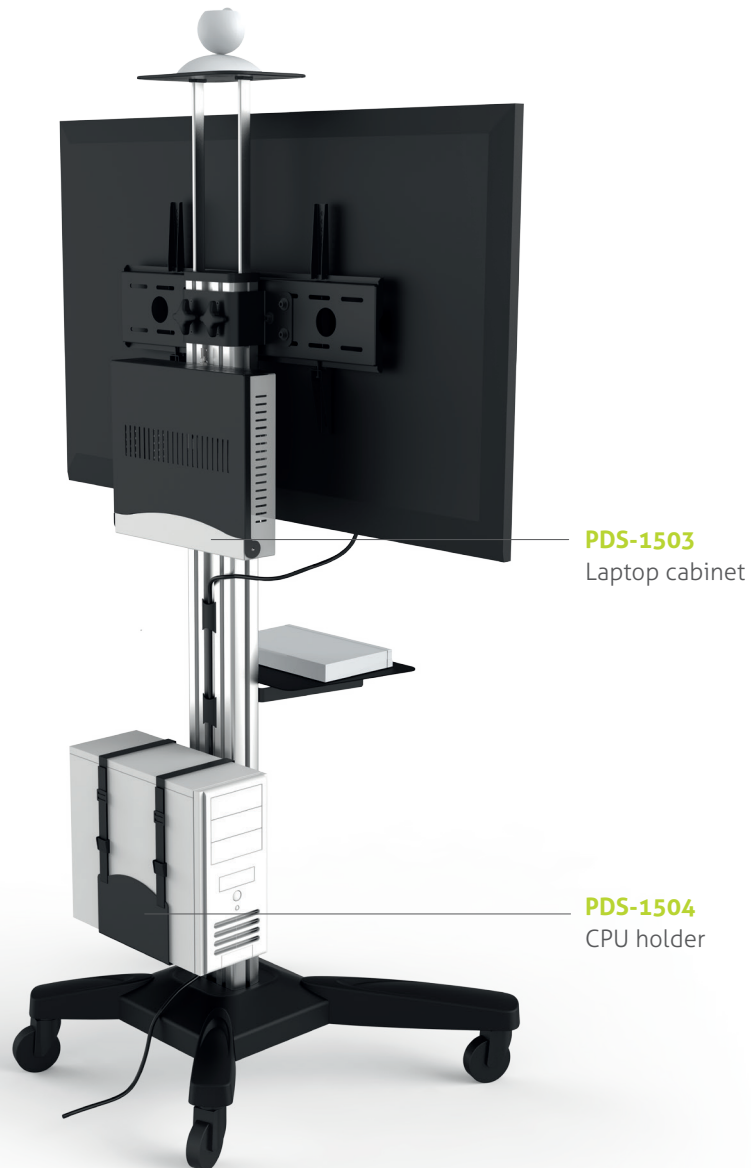
PU 1

Box 1 (L/W/H) 459x380x65mm

Weight 2.0kg

TV FLOOR STANDS & CARTS ACCESSORIES

PDS-1000 SERIES



PDS-1503
Laptop cabinet

PDS-1504
CPU holder

PDS-1503

Lockable Laptop / AV cabinet

- Accessories for PureMounts PDS-1000 series
- Steel with powder coating
- Product size: 409x356x83mm
- Max. loadable weight: 10kg

PU	1
Box 1 (L/W/H)	490x413x138mm
Weight	5.5kg

PDS-1504

CPU holder

- Accessories for PureMounts PDS-1000 series
- Steel with powder coating
- For CPU widths from 124mm – 202mm
- Max. loadable weight: 10kg

PU	1
Box 1 (L/W/H)	285x212x200mm
Weight	3.0kg

SERIES FLOOR STANDS & CARTS SUMMARY

PDS-1000 SERIES

SINGLE DISPLAY



TV Floor Stand Single Display
PDS-1001S



TV Floor Cart Single Display
PDS-1001C

DUAL DISPLAY



TV Floor Stand Dual Display
PDS-1002S



TV Floor Cart Dual Display
PDS-1002C

TOUCH SCREEN



Touch Screen Floor Stand Single Display
PDS-1101S



Touch Screen Floor Cart Single Display
PDS-1101C

MONITOR



Monitor Floor Stand Single Display
PDS-1201S



Monitor Floor Cart Single Display
PDS-1201C

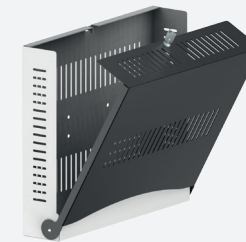
ACCESSOIRES



Camera Shelf
PDS-1501



AV/BD Shelf
PDS-1502



Laptop Cabinet
PDS-1503



CPU Holder
PDS-1504

DEPARTURES					DEPARTURES				
TIME	DESTINATION	FLIGHT	GATE	REMARKS	TIME	DESTINATION	FLIGHT	GATE	REMARKS
09:20	NEW YORK	AA343	A12	BOARDING	09:20	NEW YORK	AA343	A12	BOARDING
09:30	LOS ANGELES	UA882	A34		09:30	LOS ANGELES	UA882	A34	
11:40	LAS VEGAS	RF453	B45	DELAY	11:40	LAS VEGAS	RF453	B45	DELAY
12:15	MIAMI	SA125	C90		12:15	MIAMI	SA125	C90	
13:10	PARIS	KL722	C23		13:10	PARIS	KL722	C23	
13:55	ROMA	AI512	A78	CANCELLED	13:55	ROMA	AI512	A78	CANCELLED
14:20	LONDON	BA211	B89		14:20	LONDON	BA211	B89	
14:50	HONULULO	LH231	B37		14:50	HONULULO	LH231	B37	
15:15	SYDNEY	QA313	C52	NEW TIME	15:15	SYDNEY	QA313	C52	NEW TIME
15:35	TOKIO	JA251	C38		15:35	TOKIO	JA251	C38	
16:10	BANGKOK	TG125	C35		16:10	BANGKOK	TG125	C35	
17:00	RIO DE JANEIRO	FP893	B72		17:00	RIO DE JANEIRO	FP893	B72	



FLOOR STANDS & CARTS OVERVIEW

PDS-2000 SERIES

The elegant presentation solution!

The **PDS-2000 aluminium floor stand series** includes a wide range of floor stands & carts for different purposes, focusing on a modern design. The stylish and functional designs fulfill the needs of modern board rooms, combined with a full line of optional and quick assembled accessories. The stands and carts allow for tool-less height adjustment for different viewing angles.

You can choose between a lockable wheel system with reinforced materials, providing smooth positioning or a solid base with fixed feet. Both securely support the combined equipment's weight.

The perfect combination of light weight and load bearing construction materials and also its quick-release design make it ideal for conferences, public displays or other professional applications.

Maximum flexibility
with tilt and leveling
functions

Height adjustable
to fit different camera
models

Steel shelf
with excellent loading
capacity

Height adjustment
without tools for an
optimal viewing
experience

Lockable wheels
and a solid base provide
perfect security



FLOOR STANDS & CARTS OVERVIEW

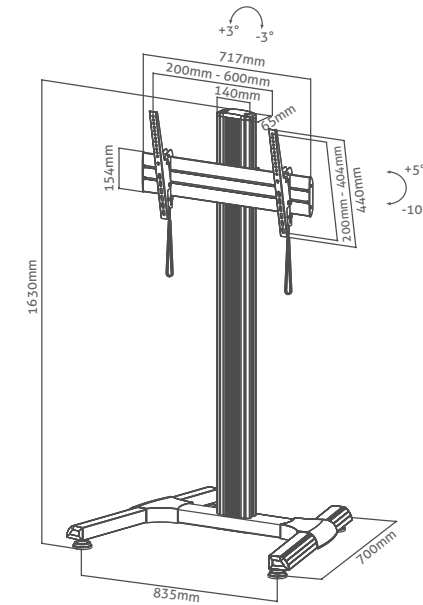
PDS-2000 SERIES

Art.-No.	Description	Screen	VESA	Max. weight	Functions	No. of screens
PDS-2001S	TV Floor Stand Single Display	37"–70"	200x200 – 600x400	80kg	Level: +3°~ -3°, Tilt: +5° ~ -10°	1
PDS-2001C	TV Floor Cart Single Display	37"–70"	200x200 – 600x400	80kg	Level: +3°~ -3°, Tilt: +5° ~ -10°	1
PDS-2002S	TV Floor Stand Dual Display	45"–55"	200x200 – 600x400	50kg	Level: +3°~ -3°, Tilt: +5° ~ -10°	2
PDS-2002C	TV Floor Cart Dual Display	45"–55"	200x200 – 600x400	50kg	Level: +3°~ -3°, Tilt: +5° ~ -10°	2
PDS-2011S	TV Floor Stand Large Display	60"–100"	600x400 – 1000x600	100kg	Tilt: +5° ~ -10°	1
PDS-2011C	TV Floor Cart Large Display	60"–100"	600x400 – 1000x600	100kg	Tilt: +5° ~ -10°	1
PDS-2021S	TV Floor Stand Rotate Single Display	37"–70"	200x200 – 600x400	65kg	Rotate 0°~ 90°, Tilt: +5° ~ -12°	1
PDS-2021C	TV Floor Cart Rotate Single Display	37"–70"	200x200 – 600x400	65kg	Rotate 0°~ 90°, Tilt: +5° ~ -12°	1
PDS-2032S	TV Floor Stand Back to Back Dual Display	37"–70"	200x200 – 600x400	60kg	Level: +3°~ -3°, Tilt: +5° ~ -10°	2
PDS-2032C	TV Floor Cart Back to Back Dual Display	37"–70"	200x200 – 600x400	60kg	Level: +3°~ -3°, Tilt: +5° ~ -10°	2
PDS-2101S	Touch Screen Floor Stand Single Display	37"–70"	200x200 – 600x400	70kg	Level: +3°~ -3°, Tilt: +45° ~ +90°	1
PDS-2101C	Touch Screen Floor Cart Single Display	37"–70"	200x200 – 600x400	70kg	Level: +3°~ -3°, Tilt: +45° ~ +90°	1
PDS-2201S	Monitor Floor Stand Single Display	37"–70"	200x200 – 600x400	70kg	Level: +3°~ -3°, Tilt: +45° ~ +90°	1
PDS-2201C	Monitor Floor Cart Single Display	37"–70"	200x200 – 600x400	70kg	Level: +3°~ -3°, Tilt: +45° ~ +90°	1

Art.-No.	Description	Material	Max.weight	Product size
PDS-2501	Camera shelf	steel	10kg	300x225x500mm
PDS-2502	AV/BD shelf	steel	10kg	428x326mm
PDS-2503	AV/BD cabinet	steel	10kg	409x356x83mm
PDS-2504	Laptop cabinet	steel	10kg	409x356x83mm
PDS-2505	CPU holder	steel	10kg	max. 235x220x154mm

TV FLOOR STAND SINGLE DISPLAY

PDS-2000 SERIES



PDS-2001S

Single screen TV stand with fixed feet base

- For TV's from 37" – 70"
- Max. VESA: 600x400mm
- Powder coated and oxidized
- Total height: 1630mm
- Max. load capacity: 80kg
- Integrated cable management
- Various optional accessories available
- Adjustable feet



80kg



37" - 70"



+3° ~ -3°



+5° ~ -10°



min. 200x200
max. 600x400



Cable
Management

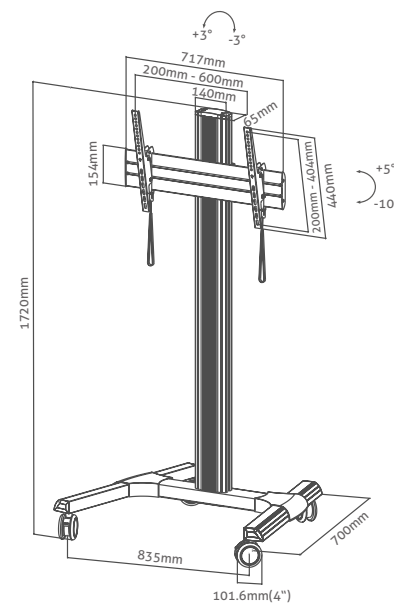
PU 1

Box 1 (L/W/H) 1870x490x240mm

Weight 25.5kg

TV FLOOR CART SINGLE DISPLAY

PDS-2000 SERIES



PDS-2001C

Single screen TV cart

- For TV's from 37" – 70"
- Max. VESA: 600x400mm
- Powder coated and oxidized
- Total height: 1720mm
- Max. load capacity: 80kg
- Integrated cable management
- Various optional accessories available
- 4" shock absorbing wheels for max. stability



80kg



37" - 70"



+3° ~ -3°



+5° ~ -10°



min. 200x200
max. 600x400



Cable
Management

PU

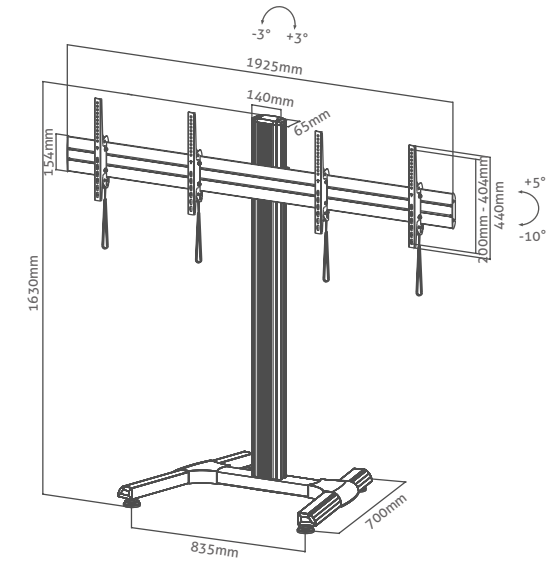
1

Box 1 (L/W/H) 1870x490x240mm

Weight 27.0kg

TV FLOOR STAND DUAL DISPLAY

PDS-2000 SERIES



PDS-2002S

Dual screen TV stand with fixed feet base

- For TV's from 45" – 55"
- Max. VESA: 600x400mm
- Powder coated and oxidized
- Total height: 1630mm
- Max. load capacity: 50kg/screen
- Integrated cable management
- Various optional accessories available
- Adjustable feet



50kg 50kg



45" - 55"



+3° ~ -3°



min. 200x200
max. 600x400



Cable
Management

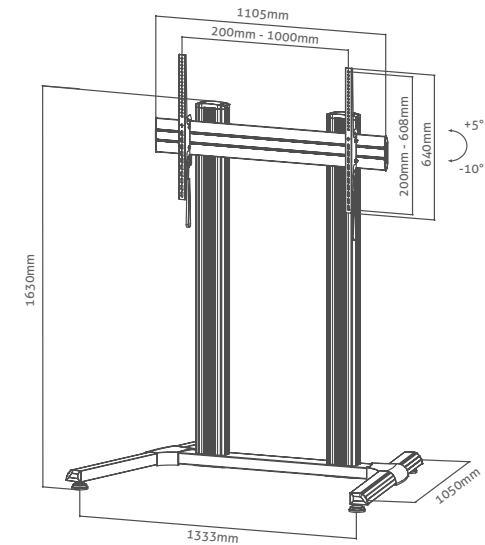
PU 1

Box 1 (L/W/H) 2020x640x240mm

Weight 31.0kg

TV FLOOR STAND LARGE DISPLAY





PDS-2000 SERIES



PDS-2011S

Single large screen stand with fixed feet base

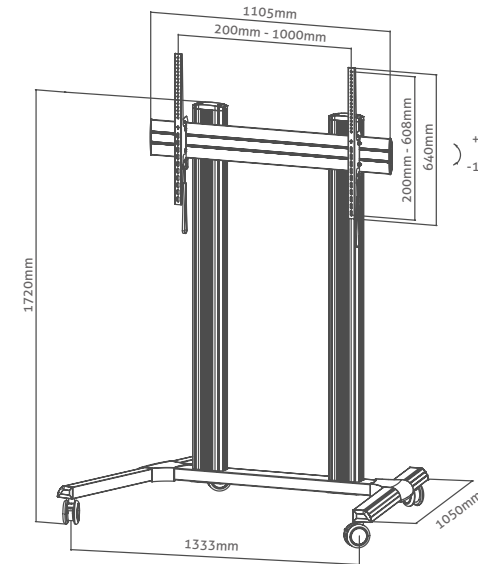
- For TV's from 60" – 100"
- Max. VESA: 1000x600mm
- Powder coated and oxidized
- Total height: 1630mm
- Max. load capacity: 100kg
- Integrated cable management
- Various optional accessories available
- Adjustable feet

				
100kg	60" - 100"	+5° ~ -10°	min. 200x200 max. 600x400	Cable Management

PU	1
Box 1 (L/W/H)	1670x490x240mm, 16.5kg
Box 2 (L/W/H)	1690x250x225mm, 27.0kg

TV FLOOR CART LARGE DISPLAY

PDS-2000 SERIES



PDS-2011C

Single large screen cart

- For TV's from 60" – 100"
- Max. VESA: 1000x600mm
- Powder coated and oxidized
- Total height: 1720mm
- Max. load capacity: 100kg
- Integrated cable management
- Various optional accessories available
- 4" shock absorbing wheels for max. stability



100kg



60" - 100"



+5° ~ -10°



min. 200x200
max. 600x400



Cable
Management

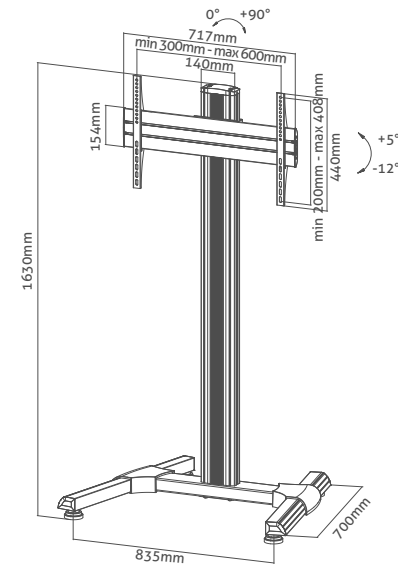
PU 1

Box 1 (L/W/H) 1670x490x240mm, 18.0kg

Box 2 (L/W/H) 1690x250x225mm, 27.0kg

TV FLOOR STAND ROTATE SINGLE DISPLAY

PDS-2000 SERIES



PDS-2021S

Single screen rotating TV stand with fixed feet base

- For TV's from 37" - 70"
- Tilting: 5° - -12° | Rotating: 0° - 90°
- Max VESA 600x400mm
- Powder coated and oxidized
- Total height: 1630mm
- Max load capacity: 65kg
- Integrated cable management
- Various optional accessories available
- Adjustable feet

PU	1
Box 1 (L/W/H)	1870x490x240mm
Weight	27.0kg



65kg



37" - 70"



0° - 90°



$+5^\circ$ - -12°



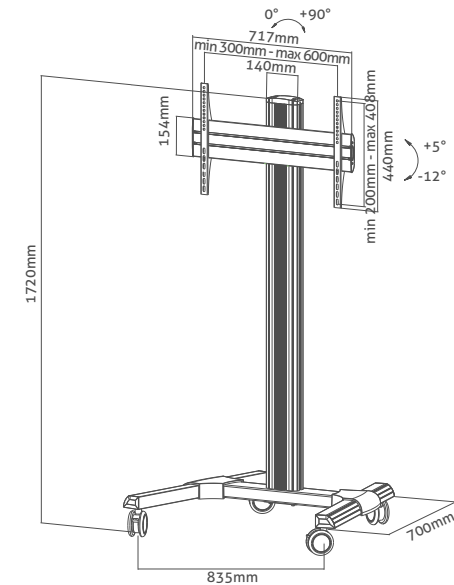
min. 200x200
max. 600x400



Cable
Management

TV FLOOR CART ROTATE SINGLE DISPLAY

PDS-2000 SERIES



PDS-2021C

Single screen rotating TV cart

- For TV's from 37" - 70"
- Tilting: 5° - -12° | Rotating: 0° - 90°
- Max VESA 600x400mm
- Powder coated and oxidized
- Total height: 1720mm
- Max load capacity: 65kg
- Integrated cable management
- Various optional accessories available
- 4" shock absorbing wheels for max. stability



65kg



37" - 70"



0° - 90°



+5° ~ -12°



min. 200x200
max. 600x400

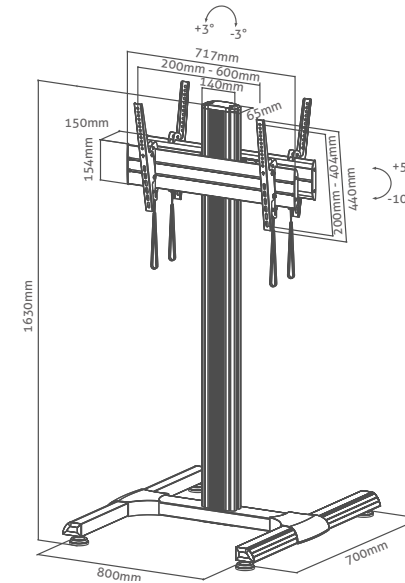


Cable
Management

PU	1
Box 1 (L/W/H)	1870x490x240mm
Weight	28.5kg

TV FLOOR STAND BACK TO BACK DUAL DISPLAY

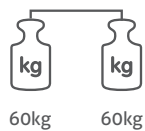
PDS-2000 SERIES



PDS-2032S

Back-to-back dual TV stand with fixed feet base

- For TV's from 37" – 70"
- Max. VESA: 600x400mm
- Powder coated and oxidized
- Total height: 1630mm
- Max. load capacity: 60kg/screen
- Integrated cable management
- Various optional accessories available
- Adjustable feet



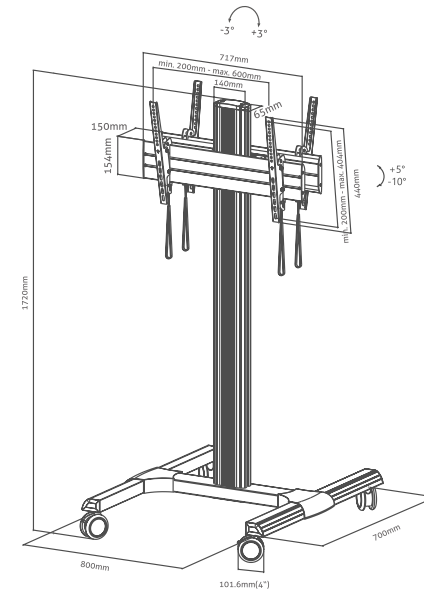
min. 200x200
max. 600x400

Cable
Management

PU	1
Box 1 (L/W/H)	1870x490x240mm
Weight	31.5kg

TV FLOOR CART BACK TO BACK DUAL DISPLAY

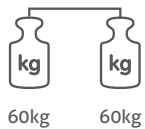
PDS-2000 SERIES



PDS-2032C

Back-to-back dual TV cart

- For TV's from 37" – 70"
- Max. VESA: 600x400mm
- Powder coated and oxidized
- Total height: 1720mm
- Max. load capacity: 60kg/screen
- Integrated cable management
- Various optional accessories available
- 4" shock absorbing wheels for max. stability



60kg 60kg



37" - 70"



+3° ~ -3°



min. 200x200
max. 600x400

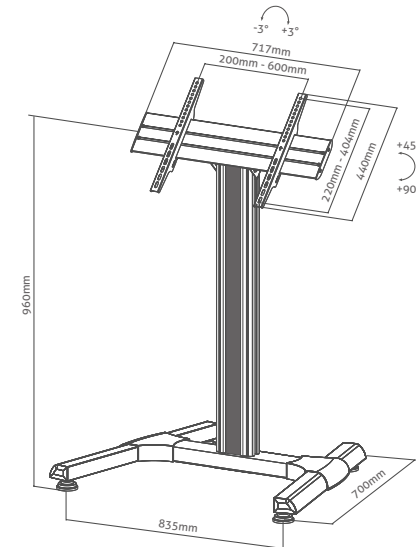


Cable
Management

PU	1
Box 1 (L/W/H)	1870x490x240mm
Weight	33.0kg

TOUCH SCREEN FLOOR STAND SINGLE DISPLAY

PDS-2000 SERIES



PDS-2101S

Single touch screen stand with fixed feet base

- For TV's from 37" – 70"
- Max. VESA: 600x400mm
- Powder coated and oxidized
- Total height: 960mm
- Max. load capacity: 70kg
- Integrated cable management
- Various optional accessories available
- 45° – 90° tilt function
- Adjustable feet



70kg



37" - 70"



+3° ~ -3°



+45° ~ +90°



min. 200x200
max. 600x400



Cable
Management

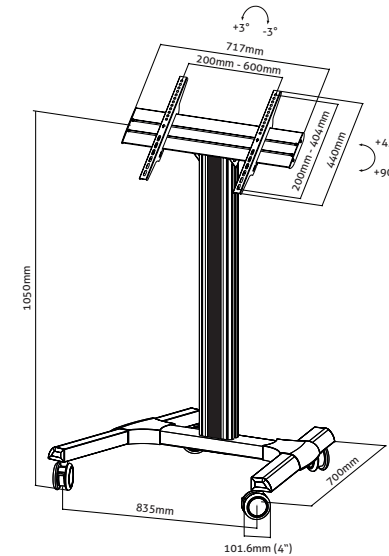
PU 1

Box 1 (L/W/H) 1200x490x240mm

Weight 17.5kg

TOUCH SCREEN FLOOR CART SINGLE DISPLAY

PDS-2000 SERIES



PDS-2101C

Single touch screen cart

- For TV's from 37" – 70"
- Max. VESA: 600x400mm
- Powder coated and oxidized
- Total height: 1050mm
- Max. load capacity: 70kg
- Integrated cable management
- Various optional accessories available
- 45° – 90° tilt function
- 4" shock absorbing wheels for max. stability



70kg



37" - 70"



+3° ~ -3°



+45° ~ +90°



min. 200x200
max. 600x400



Cable
Management

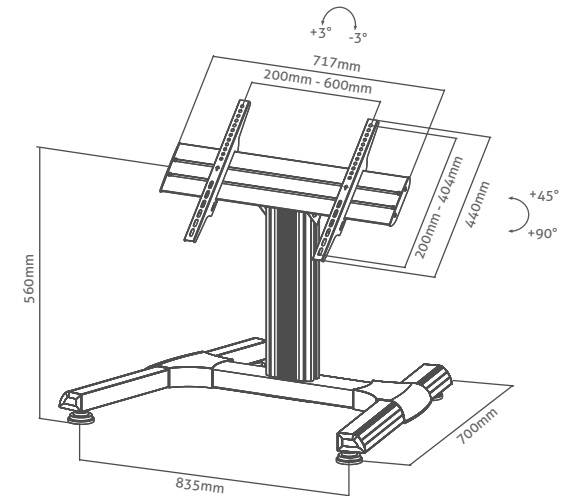
PU 1

Box 1 (L/W/H) 1200x490x240mm

Weight 19.0kg

MONITOR FLOOR STAND SINGLE DISPLAY

PDS-2000 SERIES



PDS-2201S

Single monitor floor stand with fixed feet base

- For TV's from 37" – 70"
- Max. VESA: 600x400mm
- Powder coated and oxidized
- Total height: 560mm
- Max. load capacity: 70kg
- Integrated cable management
- 45° – 90° tilt function
- Adjustable feet



70kg



37" - 70"



+3° ~ -3°



+45° ~ +90°



min. 200x200
max. 600x400



Cable
Management

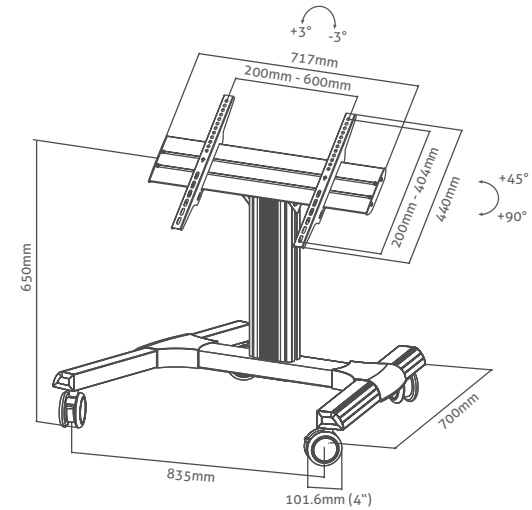
PU 1

Box 1 (L/W/H) 1200x490x240mm

Weight 16.5kg

MONITOR FLOOR CART SINGLE DISPLAY

PDS-2000 SERIES



PDS-2201C

Single monitor floor cart

- For TV's from 37" – 70"
- Max. VESA: 600x400mm
- Powder coated and oxidized
- Total height: 650mm
- Max. load capacity: 70kg
- Integrated cable management
- 45° – 90° tilt function
- 4" shock absorbing wheels for max. stability



70kg



37" - 70"



+3° ~ -3°



+45° ~ +90°



min. 200x200
max. 600x400



Cable
Management

PU 1

Box 1 (L/W/H) 1200x490x240mm

Weight 18.0kg

TV FLOOR STANDS & CARTS ACCESSORIES

PDS-2000 SERIES



PDS-2501
Solid camera shelf

PDS-2502
Solid AV/BD shelf

PDS-2501

Solid camera shelf

- Accessories for PureMounts PDS-2000 series
- Product size: 300x225x500mm
- Max. loadable weight: 10kg

PU 1

Box 1 (L/W/H) 525x236x27mm

Weight 1.6kg

PDS-2502

Solid AV/BD shelf

- Accessories for PureMounts PDS-2000 series
- Product size: 428x326mm
- Max. loadable weight: 10kg

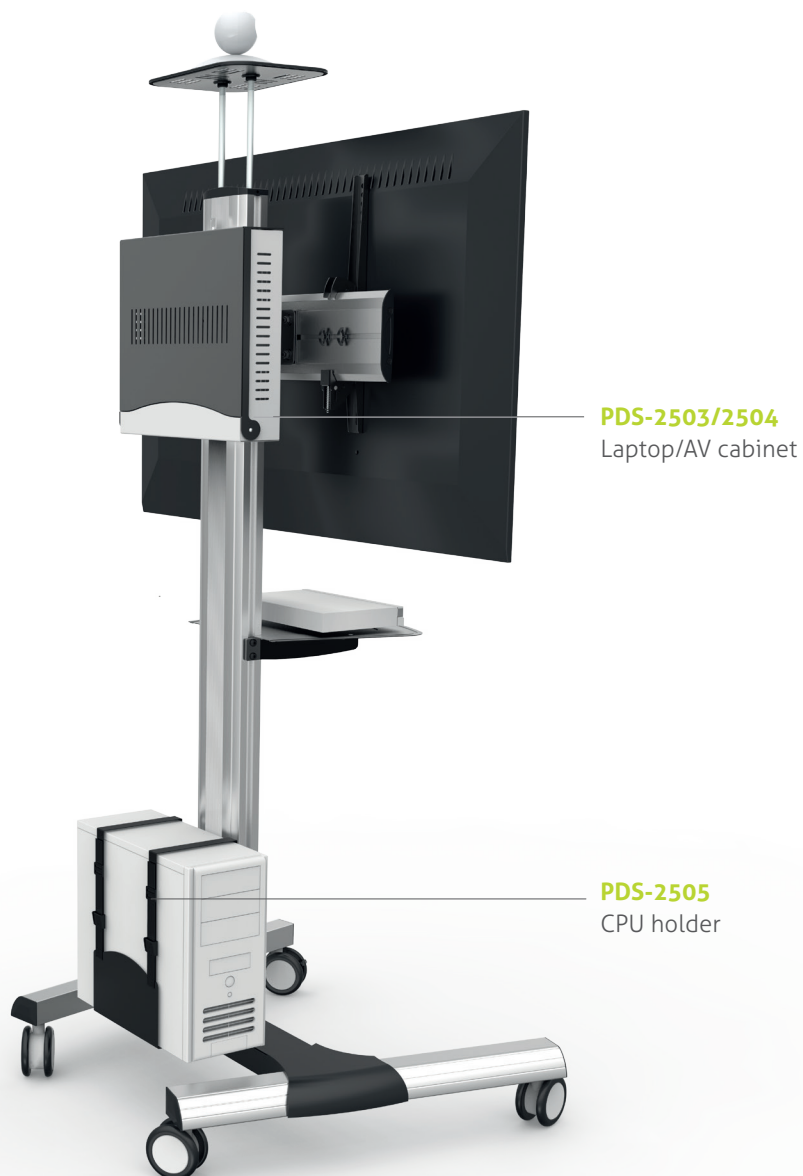
PU 1

Box 1 (L/W/H) 459x380x65mm

Weight 2.0kg

TV FLOOR STANDS & CARTS ACCESSORIES

PDS-2000 SERIES



PDS-2503

Laptop/AV cabinet

- Accessories for PureMounts PDS-2000 series
- Product size: 409x356x83mm
- Max. loadable weight: 10kg

PU	1
Box 1 (L/W/H)	490x413x138mm
Weight	5.5kg

PDS-2504

Secure laptop cabinet

- Accessories for PureMounts PDS-2000 series
- Product size: 409x356x83mm
- Max. loadable weight: 10kg

PU	1
Box 1 (L/W/H)	490x413x138mm
Weight	5.5kg

PDS-2505

CPU holder

- Accessories for PureMounts PDS-2000 series
- For CPU widths from 124mm-202mm
- Max. loadable weight: 10kg

PU	1
Box 1 (L/W/H)	285x212x200mm
Weight	3.0kg

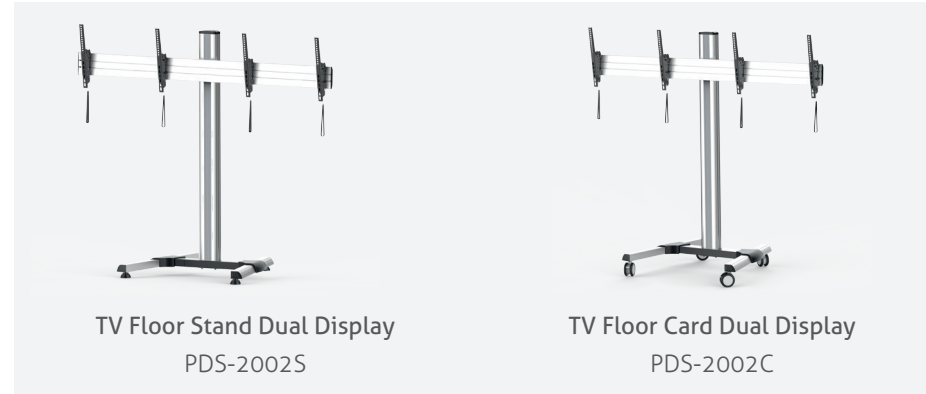
SERIES FLOOR STANDS & CARTS SUMMARY

PDS-2000 SERIES

SINGLE DISPLAY



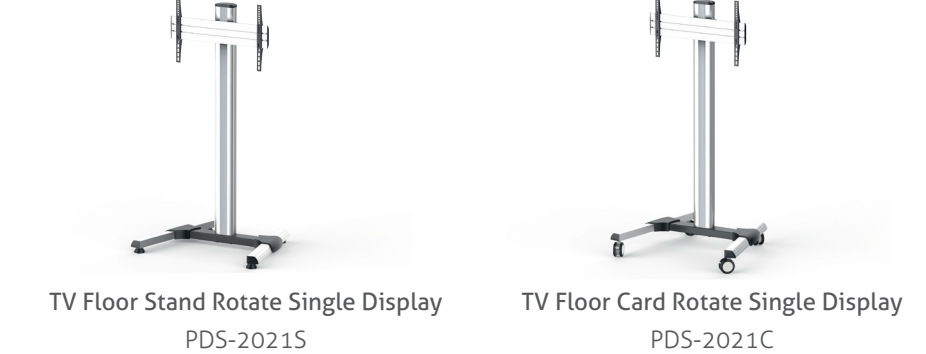
DUAL DISPLAY



LARGE DISPLAY



ROTATE



BACK TO BACK



TOUCH SCREEN



SERIES FLOOR STANDS & CARTS SUMMARY

PDS-2000 SERIES

MONITOR



Monitor Floor Stand Single Display
PDS-2201S



Monitor Floor Cart Single Display
PDS-2201C

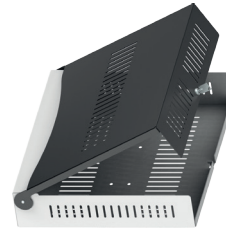
ACCESSORIES



Camera Shelf
PDS-2501



AV/BD Shelf
PDS-2502



AV/BD Cabinet
PDS-2503



Laptop Cabinet
PDS-2504



CPU Holder
PDS-2505

Video Wall Stands & Carts

PureMounts' wide range of video wall floor stands & carts provide versatile support for public display or professional presentation demands. The sleek and elegant aluminium design is really eye-catching and can make any TV look good!

If you are searching for a good multi-screen combination solution, then look no further!

Customize your installation with the included and quick to assemble connection plate. Micro-adjustments are effortless allowing for quick and seamless display alignment and level adjustment.

The versatile free standing design means there is now no need to mount directly onto a wall.



Multi-Screen Video Wall

Customize your AV installation

Fully adjustable

Fixed or rolling base

VIDEO WALL FLOOR STANDS & CARTS + WALL MOUNTS OVERVIEW

PDS-2000 SERIES



Maximum flexibility
with various micro
adjustments

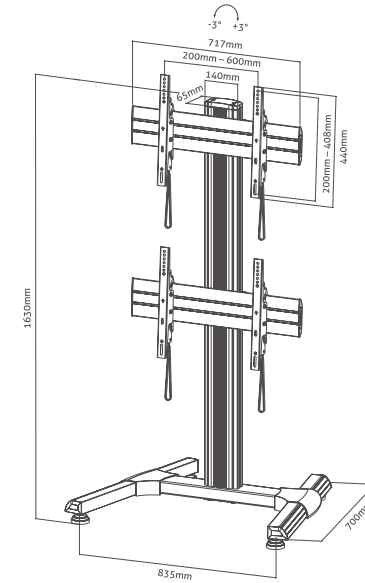
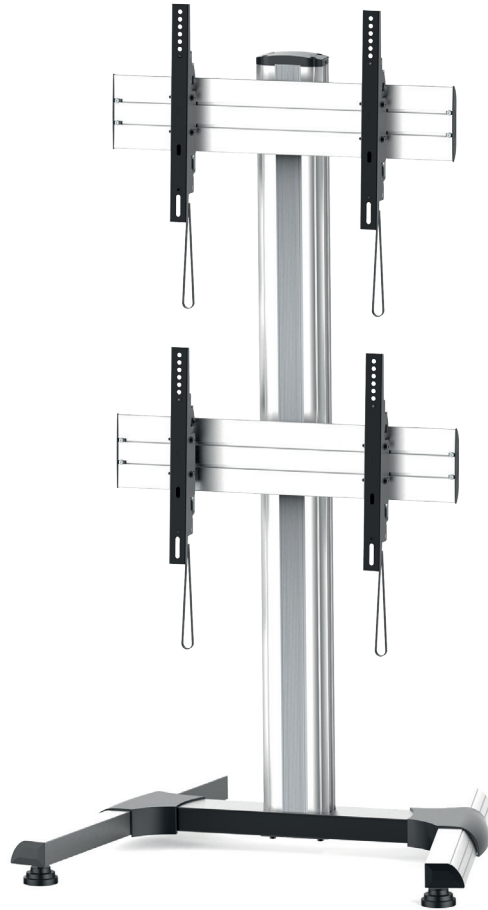


**Integrated cable
management**
keeps cables organized

Art.-No.	Description	Screen	VESA	Max. weight	Functions	No. of screens
PDS-2302S	Video Wall Floor Stand Dual Display	45" – 55"	200x200 – 600x400	40kg	Full micro adjustment	2
PDS-2302C	Video Wall Floor Cart Dual Display	45" – 55"	200x200 – 600x400	40kg	Full micro adjustment	2
PDS-2303S	Video Wall Floor Stand Triple Display	45" – 55"	200x200 – 600x400	40kg	Full micro adjustment	3
PDS-2303C	Video Wall Floor Cart Triple Display	45" – 55"	200x200 – 600x400	40kg	Full micro adjustment	3
PDS-2304S	Video Wall Floor Stand Quad Display	45" – 55"	200x200 – 600x400	40kg	Full micro adjustment	4
PDS-2304C	Video Wall Floor Cart Quad Display	45" – 55"	200x200 – 600x400	40kg	Full micro adjustment	4
PDS-2402	Video Wall Wall-Mount Dual Display	45" – 55"	200x200 – 600x400	45kg	Tilt +5° / -10°	2

VIDEO WALL FLOOR STAND DUAL DISPLAY

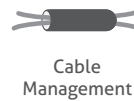
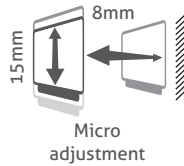
PDS-2000 SERIES



PDS-2302S

Dual screen video wall stand with fixed feet base

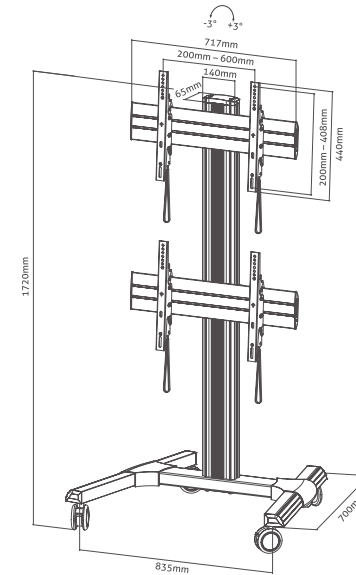
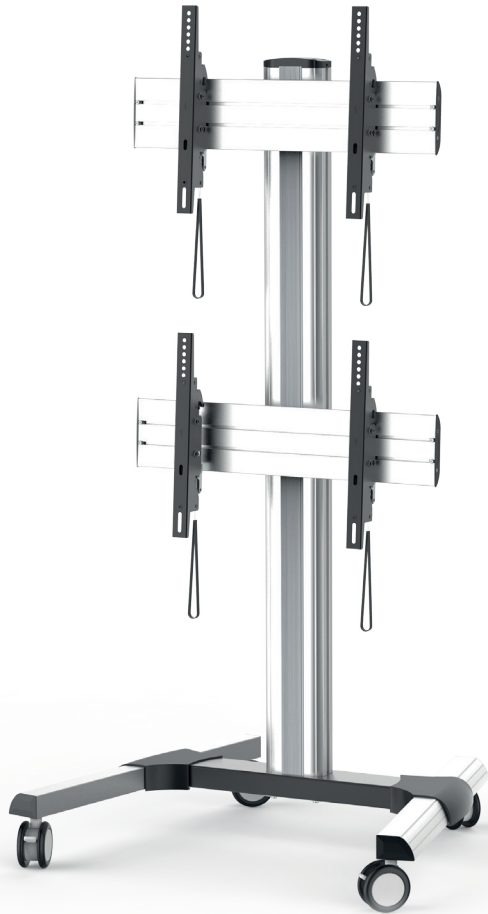
- For TV's from 45" – 55"
- Max. VESA: 600x400mm
- Powder coated and oxidized
- Total height: 1630mm
- Max. load capacity: 40kg/screen
- Integrated cable management
- Combinable for 4 or more screens
- Adjustable feet



PU	1
Box 1 (L/W/H)	1870x490x240mm
Weight	27.5kg

VIDEO WALL FLOOR CART DUAL DISPLAY

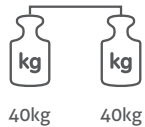
PDS-2000 SERIES



PDS-2302C

Dual screen video wall cart

- For TV's from 45" - 55"
- Max. VESA: 600x400mm
- Powder coated and oxidized
- Total height: 1720mm
- Max. load capacity: 40kg/screen
- Integrated cable management
- Combinable for 4 or more screens
- 4" shock absorbing wheels for max. stability



40kg 40kg



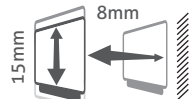
45" - 55"



+3° - -3°



min. 200x200
max. 600x400



15mm
8mm
Micro
adjustment

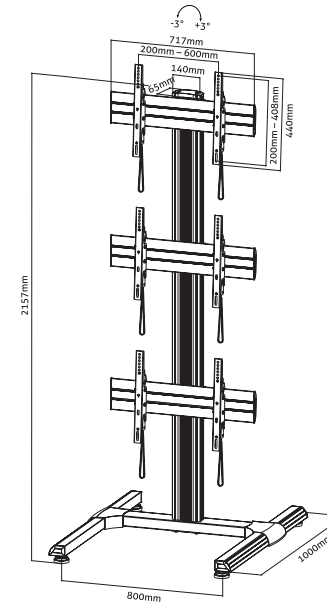
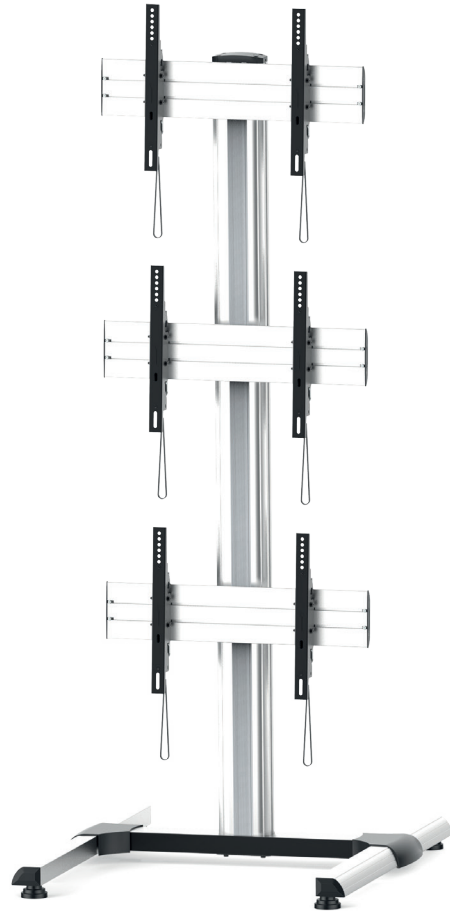


Cable
Management

PU	1
Box 1 (L/W/H)	1870x490x240mm
Weight	29.0kg

VIDEO WALL FLOOR STAND TRIPLE DISPLAY

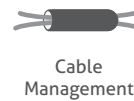
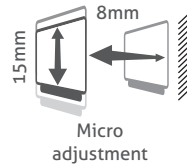
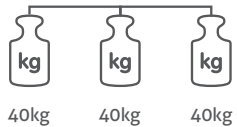
PDS-2000 SERIES



PDS-2303S

Triple screen video wall stand with fixed feet base

- For TV's from 45" – 55"
- Max. VESA: 600x400mm
- Powder coated and oxidized
- Total height: 2157mm
- Max. load capacity: 40kg/screen
- Integrated cable management
- Combinable for 6 or more screens
- Adjustable feet



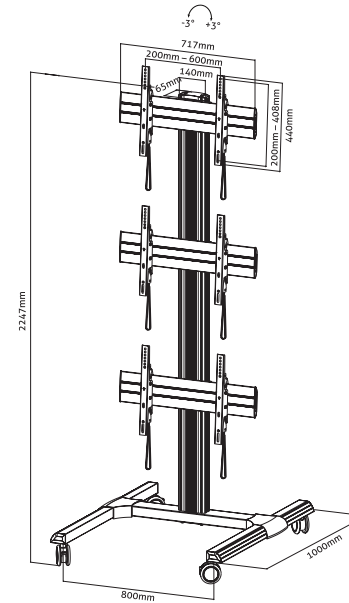
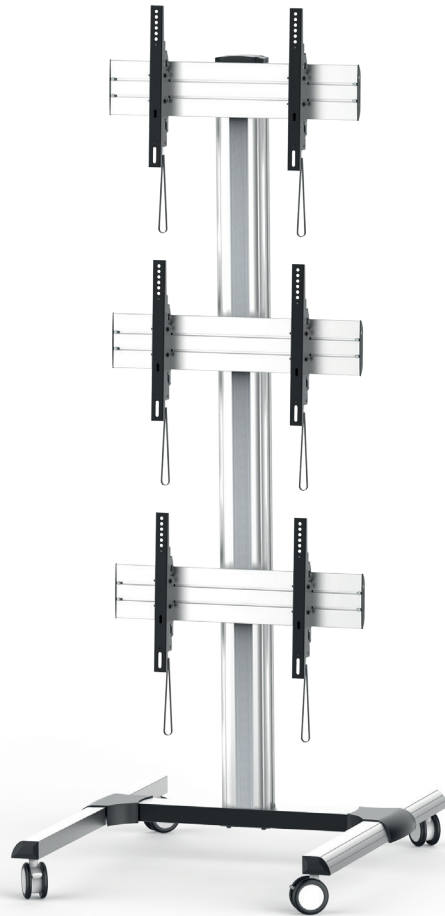
PU 1

Box 1 (L/W/H) 2210x320x225mm, 34.0kg

Box 2 (L/W/H) 1500x490x240mm, 18.5kg

VIDEO WALL FLOOR CART TRIPLE DISPLAY

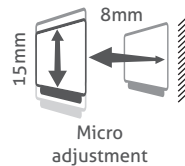
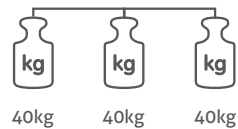
PDS-2000 SERIES



PDS-2303C

Triple screen video wall cart

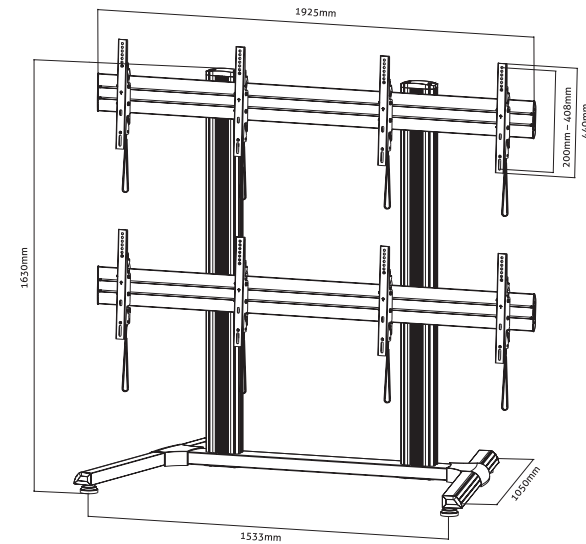
- For TV's from 45" - 55"
- Max. VESA: 600x400mm
- Powder coated and oxidized
- Total height: 2247mm
- Max. load capacity: 40kg/screen
- Integrated cable management
- Combinable for 6 or more screens
- 4" shock absorbing wheels for max. stability



PU	1
Box 1 (L/W/H)	2210x320x225mm, 34.0kg
Box 2 (L/W/H)	1500x490x240mm, 20.0kg

VIDEO WALL FLOOR STAND QUAD DISPLAY

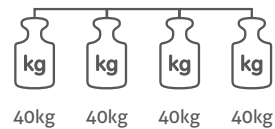
PDS-2000 SERIES



PDS-2304S

Quad screen video wall stand with fixed feet base

- For TV's from 45" – 55"
- Max. VESA: 600x400mm
- Powder coated and oxidized
- Total height: 1630mm
- Max. load capacity: 40kg/screen
- Integrated cable management
- Adjustable feet



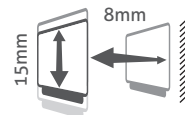
40kg 40kg 40kg 40kg



45" - 55"



min. 200x200
max. 600x400



Micro adjustment



Cable Management

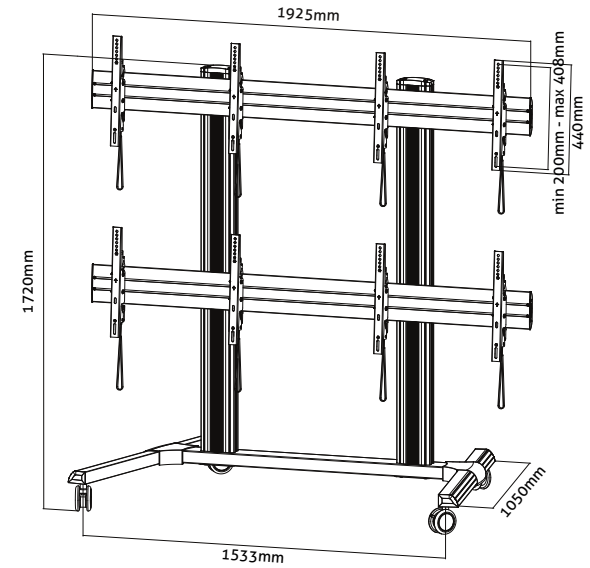
PU 1

Box 1 (L/W/H) 2025x405x225mm, 35.0kg

Box 2 (L/W/H) 1705x490x240mm, 26.5kg

VIDEO WALL FLOOR CART QUAD DISPLAY

PDS-2000 SERIES

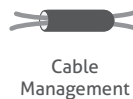
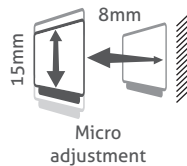
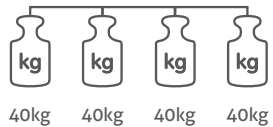


PDS-2304C

Quad screen video wall cart

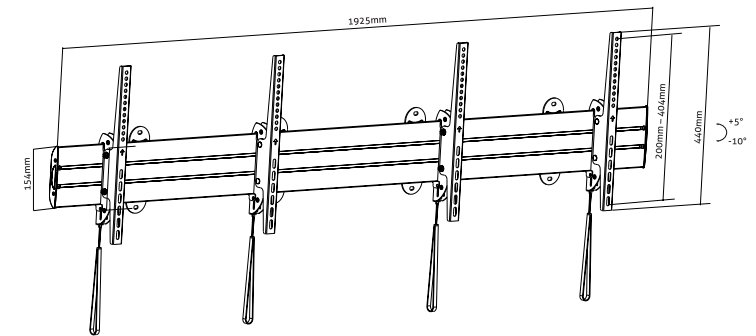
- For TV's from 45" – 55"
- Max. VESA: 600x400mm
- Powder coated and oxidized
- Total height: 1720mm
- Max. load capacity: 40kg/screen
- Integrated cable management
- 4" shock absorbing wheels for max. stability

PU	1
Box 1 (L/W/H)	2025x405x225mm, 35.0kg
Box 2 (L/W/H)	1705x490x240mm, 28.0kg



VIDEO WALL WALL-MOUNT DUAL DISPLAY

PDS-2000 SERIES



PDS-2402

Dual screen video wall wall-mount

- For TV's from 45" – 55"
- Max. VESA: 600x400mm
- Profile: 90mm
- -10° - 5° tilt adjustment
- Max. load capacity: 45kg/screen



45kg 45kg



45" - 55"



+5° ~ -10°



min. 200x200
max. 600x400



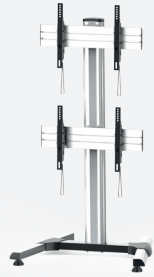
Cable
Management

PU	1
Box 1 (L/W/H)	2025x250x115mm
Weight	8.6kg

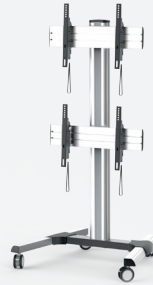
SERIES VIDEO WALL PRODUCTS SUMMARY

PDS-2000 SERIES

DUAL DISPLAY

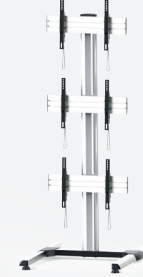


Video Wall Floor Stand Dual Display
PDS-2302S



Video Wall Floor Cart Dual Display
PDS-2302C

TRIPLE DISPLAY



Video Wall Floor Stand Triple Display
PDS-2303S



Video Wall Floor Cart Triple Display
PDS-2303C

QUAD DISPLAY



Video Wall Floor Stand Quad Display
PDS-2304S



Video Wall Floor Cart Quad Display
PDS-2304C

WALL-MOUNT



Video Wall Wall-Mount Dual Display
PDS-2402

Tablet mounting solutions

PureMounts offers a wide range of tablet cabinets and lockable stands for public display or professional presentation demands.

The slim and elegant design will also improve the look of any compatible tablet!

The tablet solutions are made for multiple applications. Installations on walls, desks / tables or as free standing stand are all possible. Many of the cabinets are lockable anti-theft solutions and can be mounted in both landscape and portrait mode applications.

The product range is ideal for top tablet brands such as Apple, Samsung and Windows but is also universally designed to fit all other makes and models.



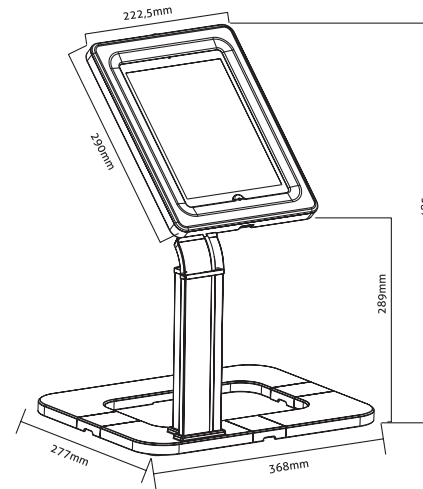
TABLET MOUNTS & ENCLOSURES OVERVIEW

PDS-5000 SERIES

Art.-No.	Description	VESA	Functions	Dimensions
PDS-5500	Tablet Enclosure & Stand Uni Small	75x75	Anti-theft, VESA compatible, adjustable width for universality	N/A
PDS-5510	Tablet Enclosure & Stand Uni Medium	75x75	Anti-theft, VESA compatible, adjustable width for universality	N/A
PDS-5520	Tablet Enclosure & Stand Uni Tall	75x75	Anti-theft, VESA compatible, adjustable width for universality	N/A
PDS-5600	Tablet Enclosure & Tilt Stand Small Apple	75x75/100x100	Anti-theft, cable routing, VESA compatible, tilt adjustable	315.5x237mm
PDS-5610	Tablet Enclosure & Tilt Stand Small Samsung	75x75/100x100	Anti-theft, cable routing, VESA compatible, tilt adjustable	315.5x237mm
PDS-5620	Tablet Enclosure & Tilt Stand Tall Apple	75x75/100x100	Anti-theft, cable routing, VESA compatible, tilt/height adjustable	442x346mm
PDS-5630	Tablet Enclosure & Tilt Stand Tall Samsung	75x75/100x100	Anti-theft, cable routing, VESA compatible, tilt/height adjustable	442x346mm
PDS-5700	Lockable Tablet Enclosure Alu Black	100x100	Anti-theft, cable routing, VESA compatible	287x217x20mm
PDS-5701	Lockable Tablet Enclosure Alu White	100x100	Anti-theft, cable routing, VESA compatible	287x217x20mm
PDS-5702	Lockable Tablet Enclosure Alu Silver	100x100	Anti-theft, cable routing, VESA compatible	287x217x20mm
PDS-5710	Lockable Tablet Enclosure Steel Black	100x100	Anti-theft, cable routing, VESA compatible	287x217x20mm
PDS-5711	Lockable Tablet Enclosure Steel White	100x100	Anti-theft, cable routing, VESA compatible	287x217x20mm
PDS-5712	Lockable Tablet Enclosure Steel Silver	100x100	Anti-theft, cable routing, VESA compatible	287x217x20mm
PDS-5800	Tablet Wall Base Black	100x100	Installation on wall or table, key hole available	202x129x121mm
PDS-5801	Tablet Wall Base White	100x100	Installation on wall or table, key hole available	202x129x121mm
PDS-5802	Tablet Wall Base Silver	100x100	Installation on wall or table, key hole available	202x129x121mm

TABLET ENCLOSURE & STAND UNI SMALL

PDS-5000 SERIES



PDS-5500

**Universal anti-theft tablet floor stand for iPad
1/2/3/4/Air, most 9.7" – 10.1" Galaxy and other tablets**

- Adjust width inside to fit different tablet sizes
- The size of the built-in panel is
L(158-182mm) x W(221-255mm) x T(7.6-10.5mm)
- Aluminum base with decorative covers
- Detachable case
- HOME button covering (for public)
- Cables guided inside the tube
- Aluminum & plastic
- Height options: 485mm

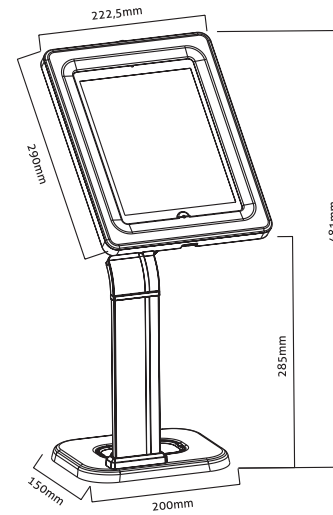
PU 1

Box 1 (L/W/H) 390x305x70mm

Weight 2.44kg

TABLET ENCLOSURE & STAND UNI MEDIUM

PDS-5000 SERIES



PDS-5510

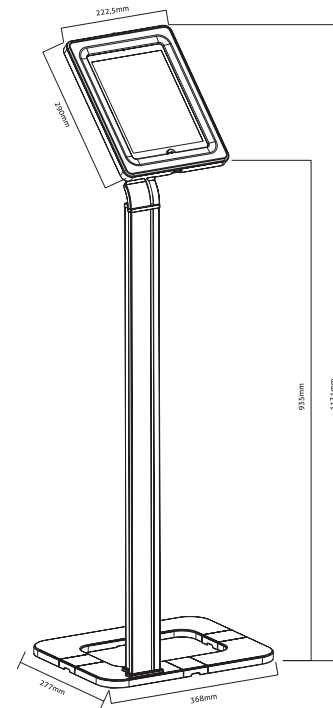
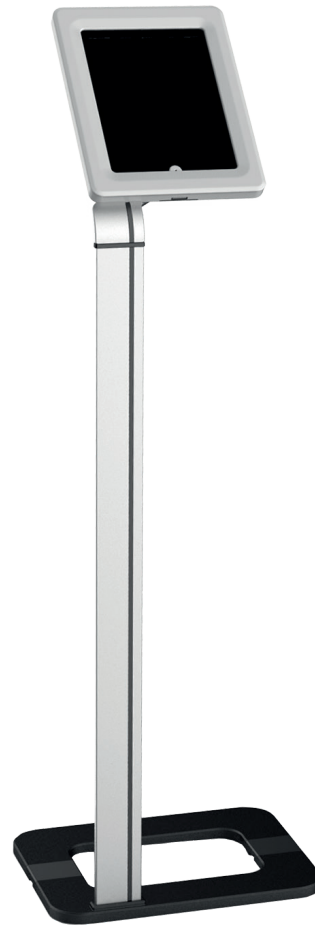
**Universal anti-theft tablet floor stand for iPad
1/2/3/4/Air, most 9.7" – 10.1" Galaxy and other tablets**

- Adjust width inside to fit different tablet sizes
- The size of the built-in panel is
L(158-182mm) x W(221-255mm) x T(7.6-10.5mm)
- Aluminum base with decorative covers
- Detachable case
- HOME button covering (for public)
- Cables guided inside the tube
- Aluminum & plastic
- Height options: 481mm

PU	1
Box 1 (L/W/H)	317x228x77mm
Weight	1.68kg

TABLET ENCLOSURE & STAND UNI TALL

PDS-5000 SERIES



PDS-5520

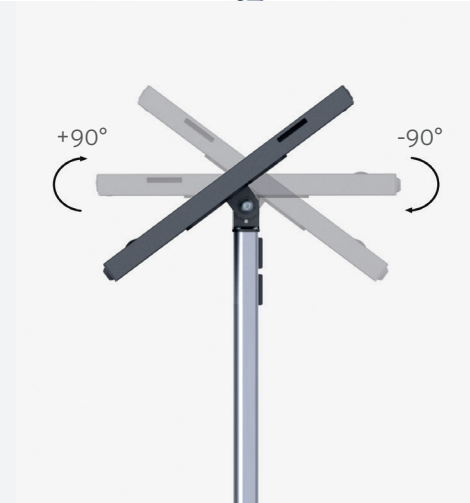
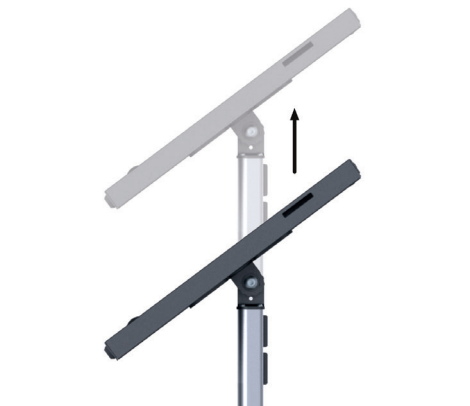
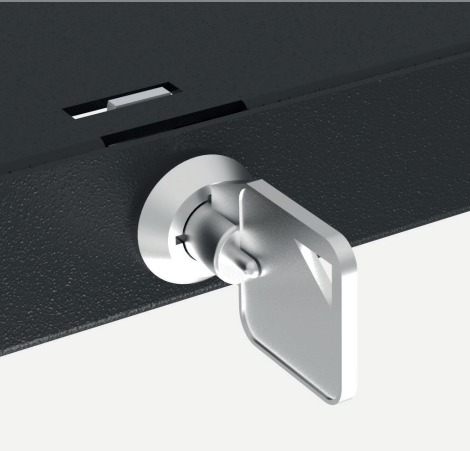
Universal anti-theft tablet floor stand for iPad 1/2/3/4/Air, most 9.7" – 10.1" Galaxy and other tablets

- Adjust width inside to fit different tablet sizes
- The size of the built-in panel is L(158-182mm) x W(221-255mm) x T(7.6-10.5mm)
- Aluminum base with decorative covers
- Detachable case
- HOME button covering (for public)
- Cables guided inside the tube
- Aluminum & plastic
- Height options: 1131mm

PU	1
Box 1 (L/W/H)	895x330x55mm
Weight	3.1kg

TABLET ENCLOSURE & TILT STAND SMALL APPLE/SAMSUNG

PDS-5000 SERIES



PDS-5600

Anti-theft tablet stand for iPad 2/3/4/Air

- Protect your iPad from theft or tampering (lock & key)
- HOME button always accessible
- Tilt adjustable case and high quality aluminum tube
- Internal cable routing
- landscape and portrait
- Pole height: 330,5mm
- Base dimension: 315.5x237mm
- Material: steel & aluminum

PU 1
Box 1 (L/W/H) 425x250x95mm
Weight 3.54kg



PDS-5610

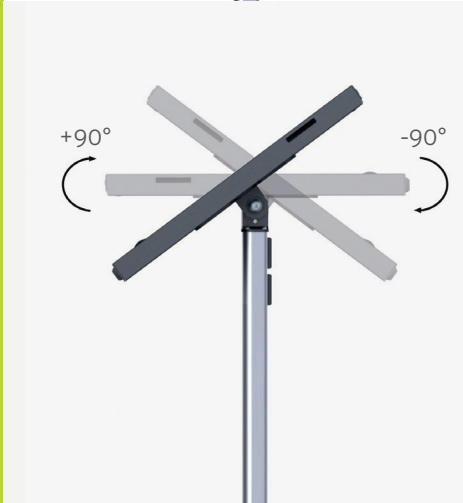
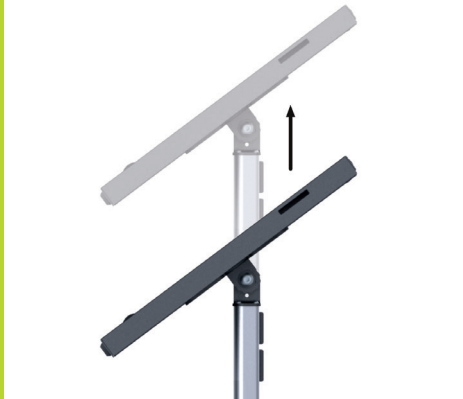
Anti-theft tablet stand for Samsung Galaxy Note 10.1, GalaxyTab1/2/3

- Protect your tablet from theft or tampering (lock & key)
- HOME button always accessible
- Tilt adjustable case and high quality aluminum tube
- Internal cable routing
- landscape and portrait
- Pole height: 330,5mm
- Base dimension: 315.5x237mm
- Material: steel & aluminum

PU 1
Box 1 (L/W/H) 425x250x95mm
Weight 3.54kg

TABLET ENCLOSURE & TILT STAND TALL APPLE

PDS-5000 SERIES



PDS-5620

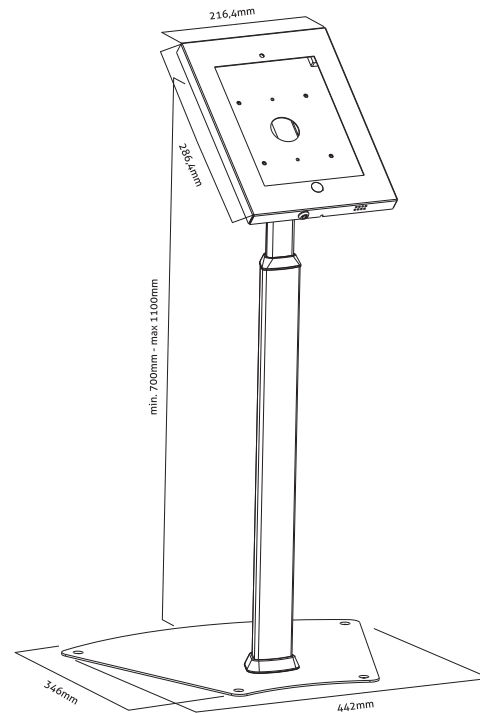
Height adjustable anti-theft tablet stand for iPad 2/3/4/Air

- Protect your iPad from theft or tampering (lock & key)
- HOME button always accessible
- Tilt adjustable case and high quality aluminum tube
- Internal cable routing
- landscape and portrait
- Pole height: 700-1100mm
- Base dimension: 442x346mm
- Material: steel & aluminum

PU	1
Box 1 (L/W/H)	730x365x75mm
Weight	5.7kg

TABLET ENCLOSURE & TILT STAND TALL SAMSUNG

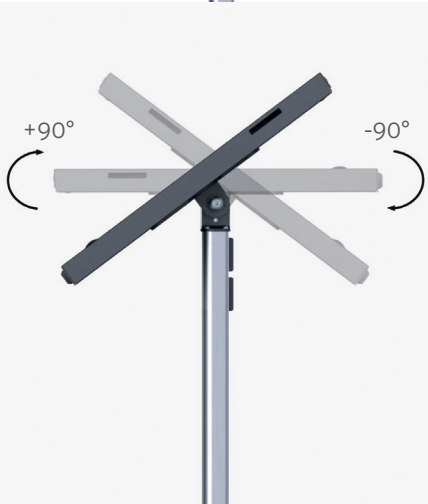
PDS-5000 SERIES



PDS-5630

Height adjustable anti-theft tablet stand for Samsung Galaxy Note10.1, GalaxyTab1/2/3

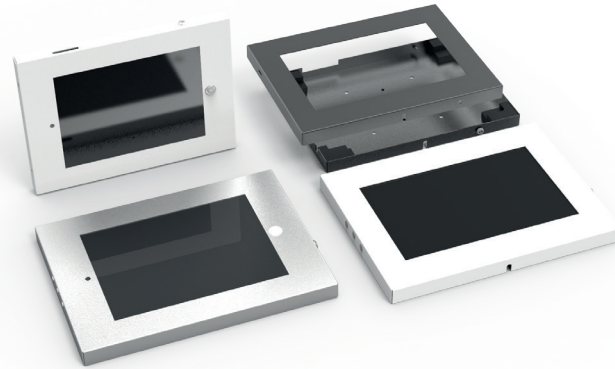
- Secured with tamper-proof security screw
- Tilt adjustable case and high quality aluminum tube
- Internal cable routing
- Pole height: 700-1100mm
- Base dimension: 442x346mm
- Material: steel & aluminum



PU	1
Box 1 (L/W/H)	730x365x75mm
Weight	5.7kg

LOCKABLE TABLET ENCLOSURE ALU/STEEL

PDS-5000 SERIES



PDS-5700

Durable and anti-theft enclosure for iPad2/3/4/Air

- Protect your iPad from theft or tampering (lock & key)
- HOME button always accessible
- Attach to wall directly or use with table/wall/floor mount
- Internal cable routing
- landscape and portrait
- Dimensions (LxWxH): 287x217x20mm
- Net Weight: 1.248g
- Material: aluminium

- Black PDS-5700
- White PDS-5701
- Silver PDS-5702

PU 1
Box 1 (L/W/H) 300x230x30mm
Weight 1.35kg

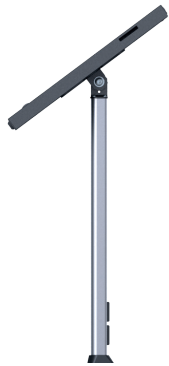
PDS-5710

Durable and anti-theft enclosure for Samsung 7500, 7150, Note 10.1, Galaxy Tab3

- Protect your tablet from theft or tampering (lock & key)
- Attach to wall directly or use with table/wall/floor mount
- Internal cable routing
- Dimension (LxWxH): 286x216x20mm
- Net Weight: 1.300g
- Material: steel

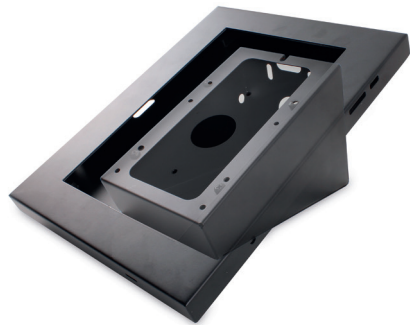
- Black PDS-5710
- White PDS-5711
- Silver PDS-5712

PU 1
Box 1 (L/W/H) 300x230x30mm
Weight 1.35kg



TABLET WALL BASE

PDS-5000 SERIES



PDS-5800/5801/5802

Wall/table installation available

- Key hole for easy application
- Dimension: 202x129x121mm
- Also usable as table stand, 75° or 25°

● Black PDS-5800

○ White PDS-5801

● Silver PDS-5802

PU 1

Box 1 (L/W/H) 310x240x130mm

Weight 1.2kg

SERIES TABLET ENCLOSURES & STANDS SUMMARY

PDS-5000 SERIES

STAND UNI



Tablet Enclosure & Stand Uni Small
PDS-5500



Tablet Enclosure & Stand Uni Medium
PDS-5510



Tablet Enclosure & Stand Uni Tall
PDS-5520

TILT STAND



Tablet Enclosure & Tilt Stand Small Apple
PDS-5600



Tablet Enclosure & Tilt Stand Small Samsung
PDS-5610



Tablet Enclosure & Tilt Stand Tall Apple
PDS-5620



Tablet Enclosure & Tilt Stand Tall Samsung
PDS-5630

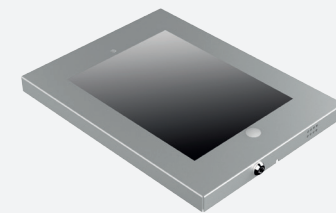
ENCLOSURES



Lockable Tablet Enclosure iPad Black
PDS-5700



Lockable Tablet Enclosure iPad White
PDS-5701



Lockable Tablet Enclosure iPad Silver
PDS-5702

SERIES TABLET ENCLOSURES & STANDS SUMMARY

PDS-5000 SERIES

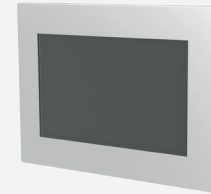
ENCLOSURES



Lockable Tablet Enclosure Samsung Black
PDS-5710



Lockable Tablet Enclosure Samsung White
PDS-5711



Lockable Tablet Enclosure Samsung Silver
PDS-5712

WALL-MOUNTS



Tablet Wall Base Black
PDS-5800



Tablet Wall Base White
PDS-5801



Tablet Wall Base Silver
PDS-5802

NOTES

PUREMounts® DS

PureMounts DS
is a trademark of

PureLink GmbH
Von-Liebig-Straße 10
D - 48432 Rheine
Germany

Telefon: +49 5971 800299-0
Fax: +49 5971 800299-99

E-Mail: info@purelink.de
Internet: www.purelink.de

