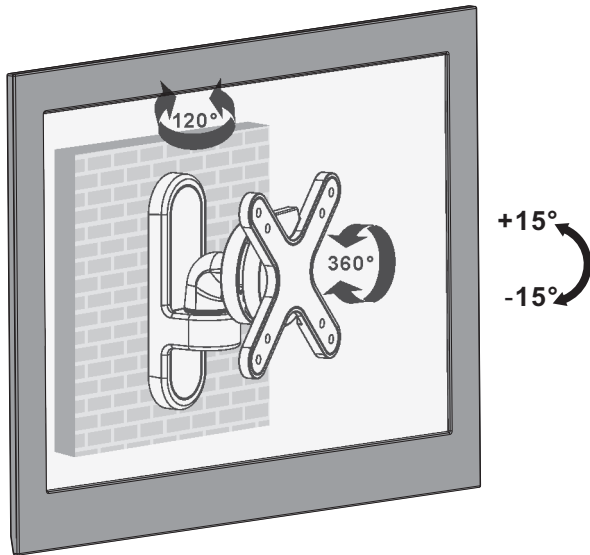
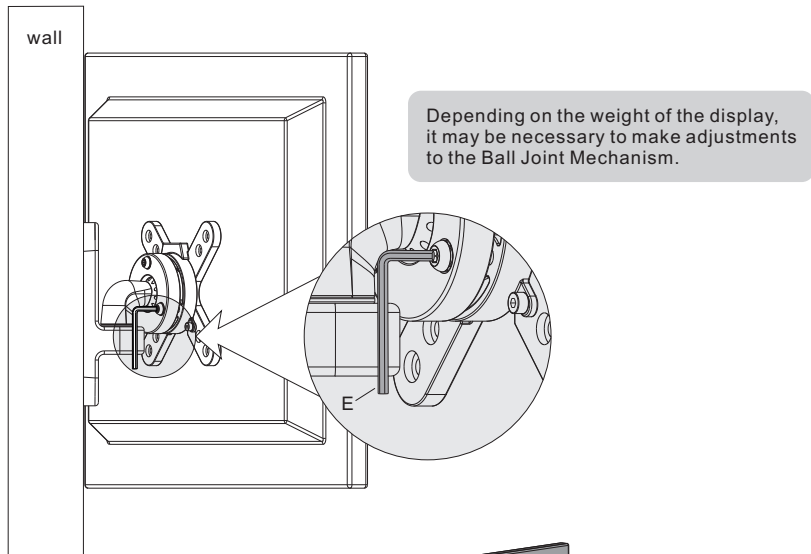


6. Adjustment



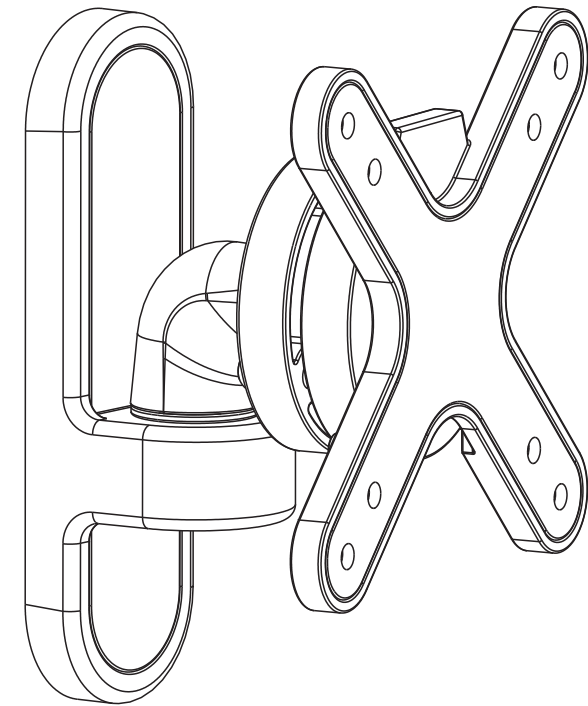
Adjust to the desired position or tilt.

Maintenance

- Check that the bracket is secure and safe to use at regular intervals (at least every three months).
- Please contact your distributor if you have any questions.

PUREmounts®

INSTALLATION MANUAL



TV Wall Mount



CAUTION: DO NOT EXCEED RATED LISTED WEIGHT. SERIOUS INJURY OR PROPERTY DAMAGE MAY OCCUR!

PM-STYLE-23A



75x75
100x100



ISSUED: SEPT. 2013

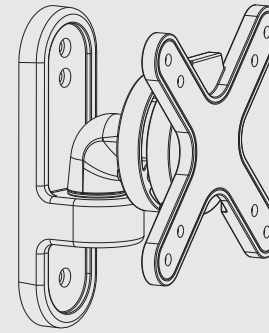
NOTE: Read the entire instruction manual before you start installation and assembly.

WARNING

- Do not begin the installation until you have read and understood all the instructions and warnings contained in this installation sheet. If you have any questions regarding any of the instructions or warnings, please contact your local distributor.
- This mounting bracket was designed to be installed and utilised ONLY as specified in this manual. Improper installation of this product may cause damage or serious injury.
- This product should only be installed by someone with good mechanical ability who has basic building experience and fully understands this manual.
- Make sure that the supporting surface will safely support the combined weight of the equipment and all attached hardware and components.
- If mounting to wood wall studs, make sure that mounting screws are anchored into the center of the studs. The use of a stud finder is highly recommended.
- Always use an assistant or mechanical lifting equipment to safely lift and position the equipment.
- Tighten screws firmly, but do not over tighten. Over tightening can cause damage to the items, This greatly reduces their holding power.
- This product is intended for indoor use only. Using this product outdoors could lead to product failure and personal injury.

Component Checklist

IMPORTANT: Ensure that you have received all parts according to the component checklist prior to installation. If any parts are missing or faulty, telephone your local distributor for a replacement.



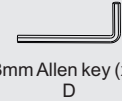
articulated arm assembly (x1)
A



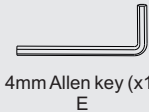
decorative cover 1 (x1)
B



decorative cover 2 (x1)
C



3mm Allen key (x1)
D

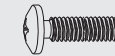


4mm Allen key (x1)
E

Package M



M4x14 (x4)
M-A



M5x14 (x4)
M-B

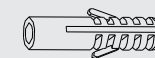


D5 washer (x4)
M-C

Package W



ST5.5x50 (x3)
W-A

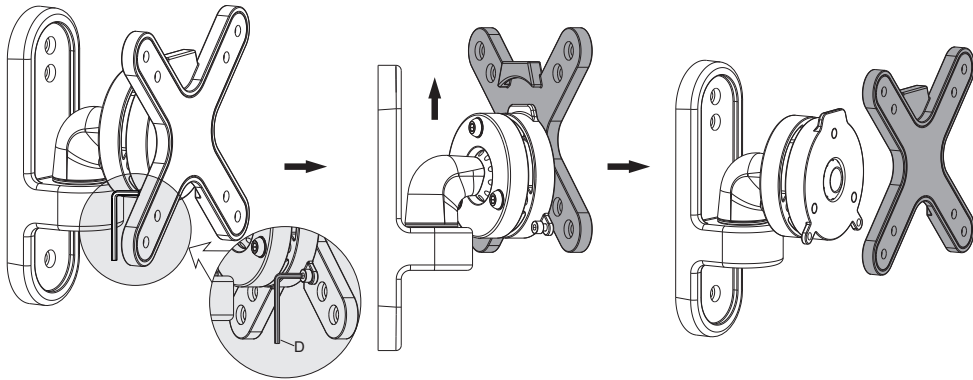


concrete anchor (x3)
W-B

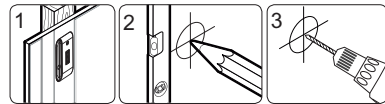
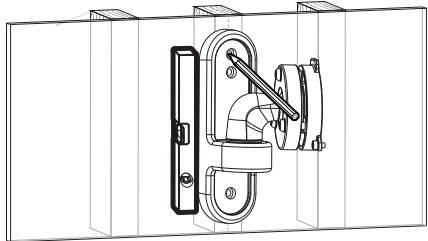
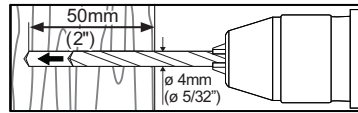
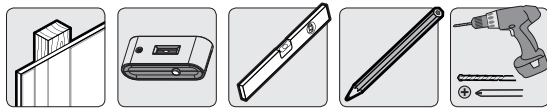


D6 washer (x3)
W-C

1. Separating the VESA Plate from the Wall Mount

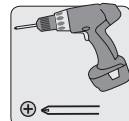
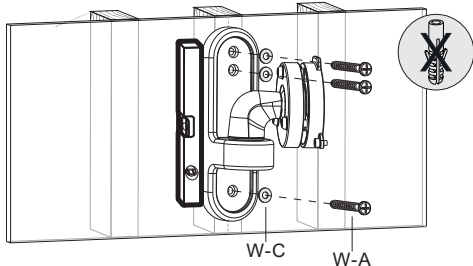
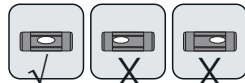


2a. For Wood Stud Wall Mounting



Find and mark the exact location of mounting holes

Drill pilot holes

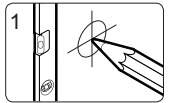
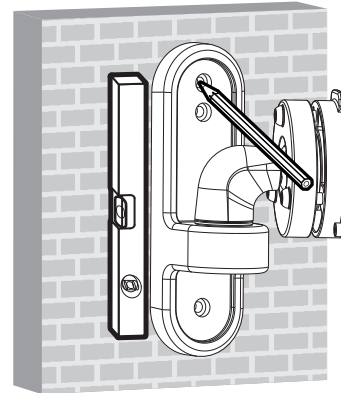
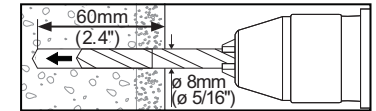
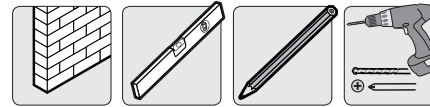


Screw the wall mount onto the wall

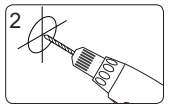
⚠ WARNING

- Make sure that mounting screws are anchored into the center of the studs. The use of a stud finder is highly recommended.
- Installers are responsible to provide hardware for other types of mounting situations.
- Installers must verify that the supporting surface will safely support the combined weight of the equipment and all attached hardware and components.

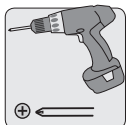
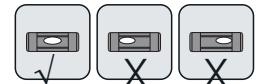
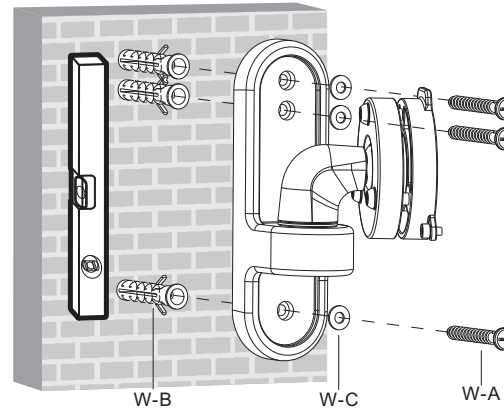
2b. For Solid Brick and Concrete Mounting



Mark the exact location of mounting holes



Drill pilot holes

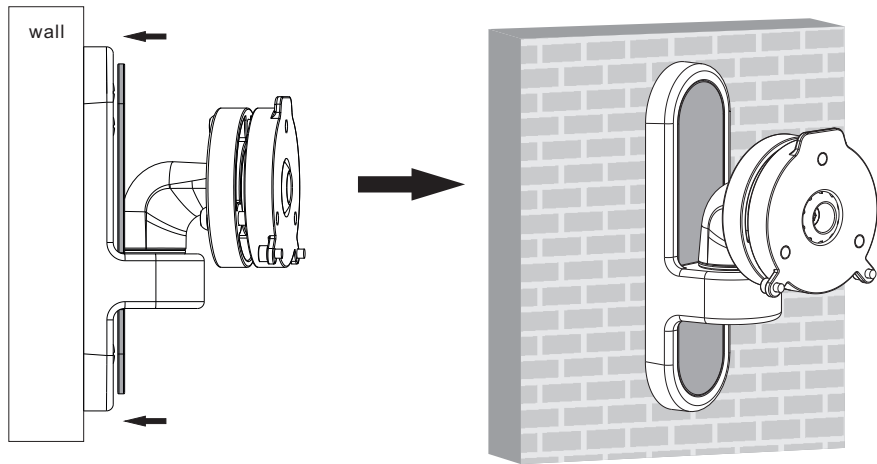


Screw the wall mount onto the wall

⚠ WARNING

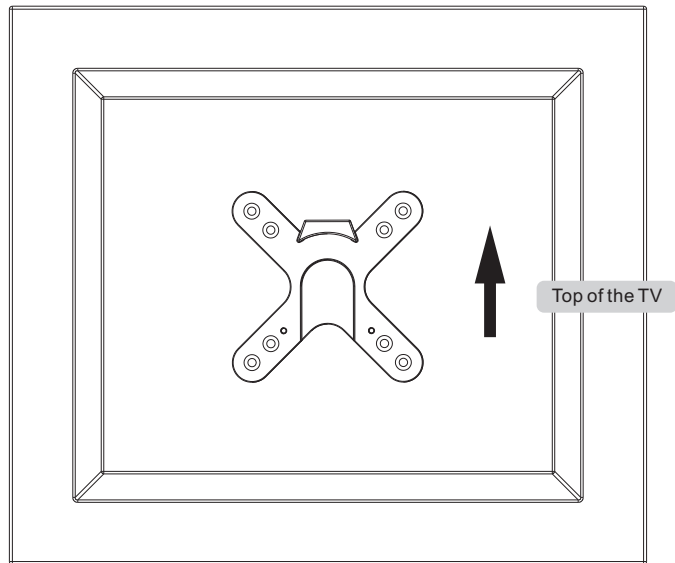
Installers must verify that the supporting surface will safely support the combined weight of the equipment and all attached hardware and components.

3. Installing the Decorative Covers

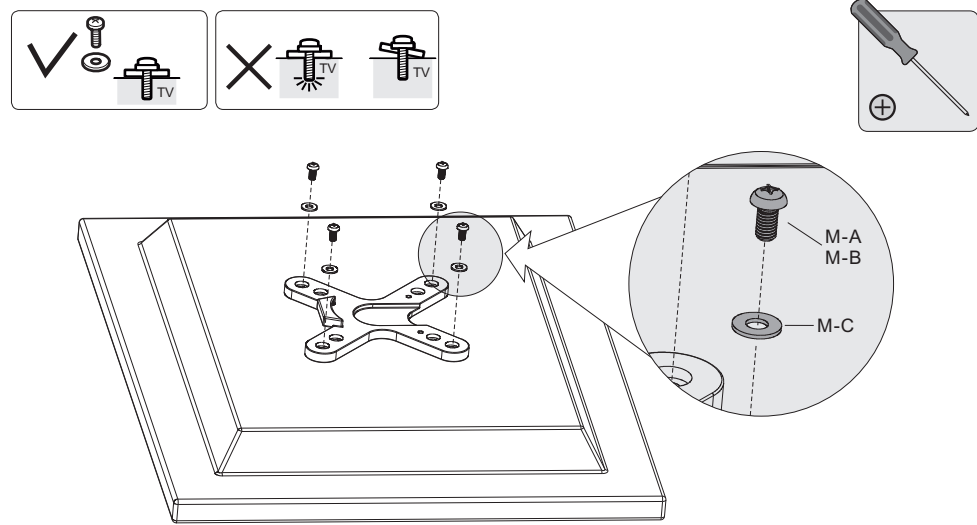


Install the decorative covers along the wall plate rail until they fit snugly onto the wall plate.

4. Installing the VESA Plate

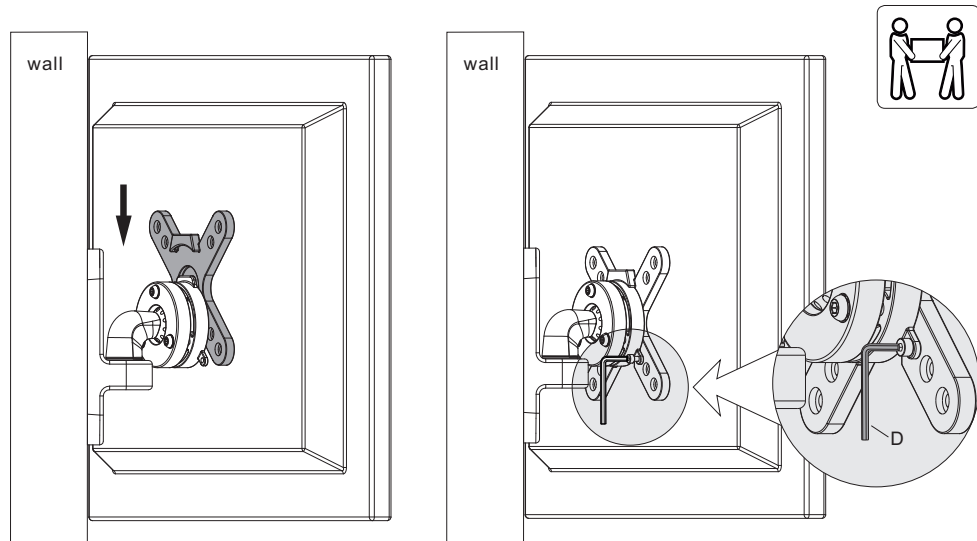


5. Hooking the TV onto the Wall Mount



Screw the VESA plate onto the TV.
⚠️ Tighten all screws but do not over tighten.

5. Hooking the TV onto the Wall Mount



Carefully lift your TV and hook VESA plate onto the mounted head. Tighten screws (that is previously removed) to secure.