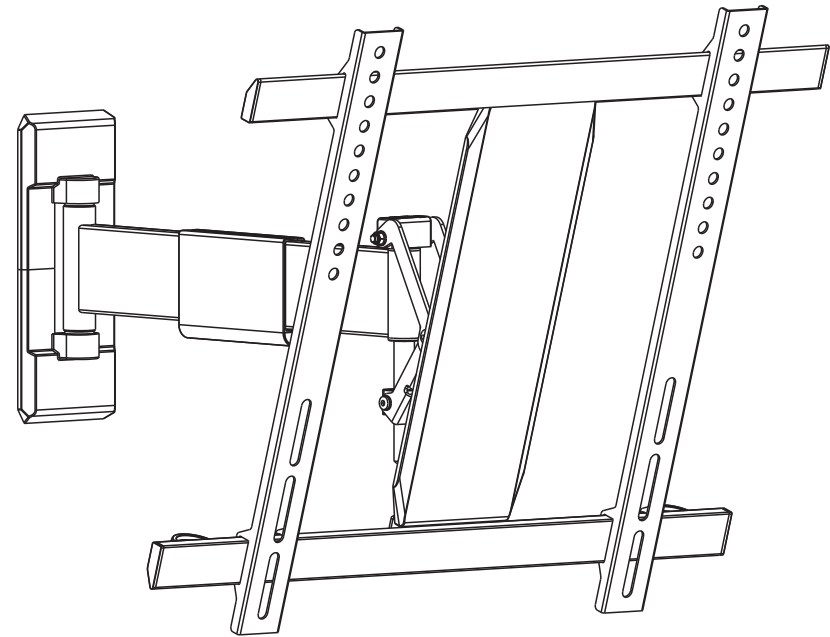


PUREMounts®






INSTALLATION MANUAL



TV Wall Mount



CAUTION: DO NOT EXCEED RATED LISTED WEIGHT. SERIOUS INJURY OR PROPERTY DAMAGE MAY OCCUR!

PM-EASYFLEX-52	 200x200/400x200 300x300/400x400	 55" MAX	 30kg (66lbs) RATED
PM-EASYFLEX-65	 200x200/400x200 300x300/400x400 600x400	 70" MAX	

ISSUED: OCT. 2013

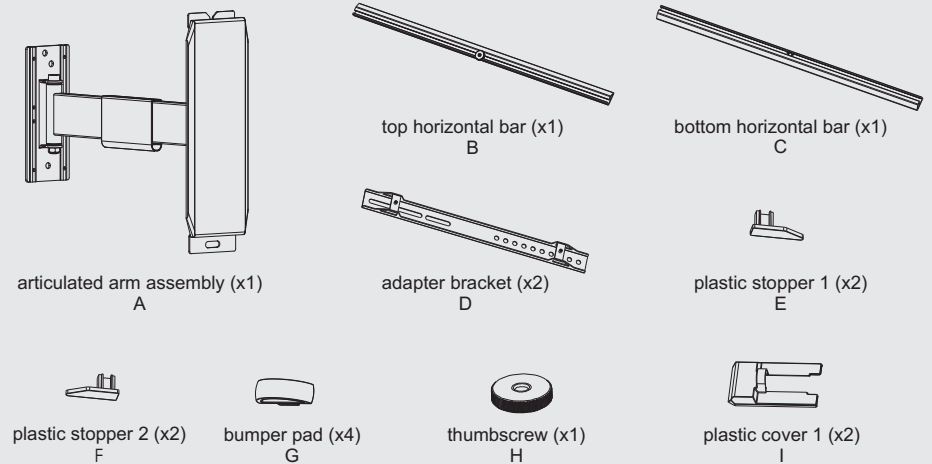
NOTE: Read the entire instruction manual before you start installation and assembly.

WARNING

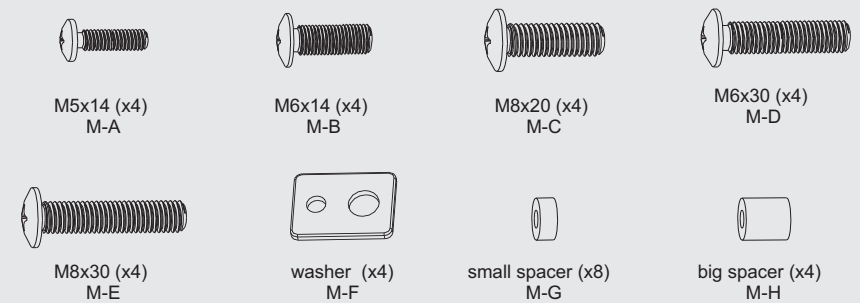
- Do not begin the installation until you have read and understood all the instructions and warnings contained in this installation sheet. If you have any questions regarding any of the instructions or warnings, please contact your local distributor.
- This mounting bracket was designed to be installed and utilised **ONLY** as specified in this manual. Improper installation of this product may cause damage or serious injury.
- This product should only be installed by someone with good mechanical ability who has basic building experience and fully understands this manual.
- Make sure that the supporting surface will safely support the combined weight of the equipment and all attached hardware and components.
- If mounting to wood wall studs, make sure that mounting screws are anchored into the center of the studs. The use of a stud finder is highly recommended.
- Always use an assistant or mechanical lifting equipment to safely lift and position the equipment.
- Tighten screws firmly, but do not over tighten. Over tightening can cause damage to the items, This greatly reduces their holding power.
- This product is intended for indoor use only. Using this product outdoors could lead to product failure and personal injury.

Component Checklist

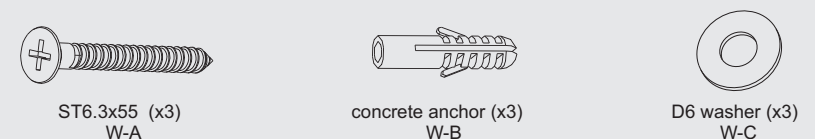
IMPORTANT: Ensure that you have received all parts according to the component checklist prior to installation. If any parts are missing or faulty, telephone your local distributor for a replacement.



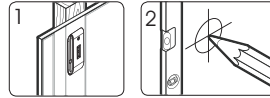
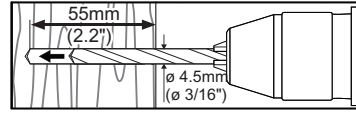
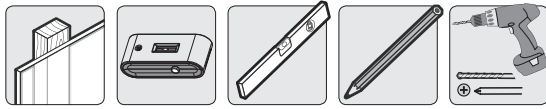
Package M



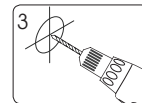
Package W



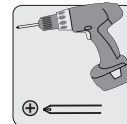
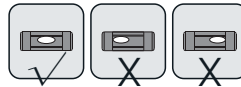
1a. For Wood Stud Wall Mounting



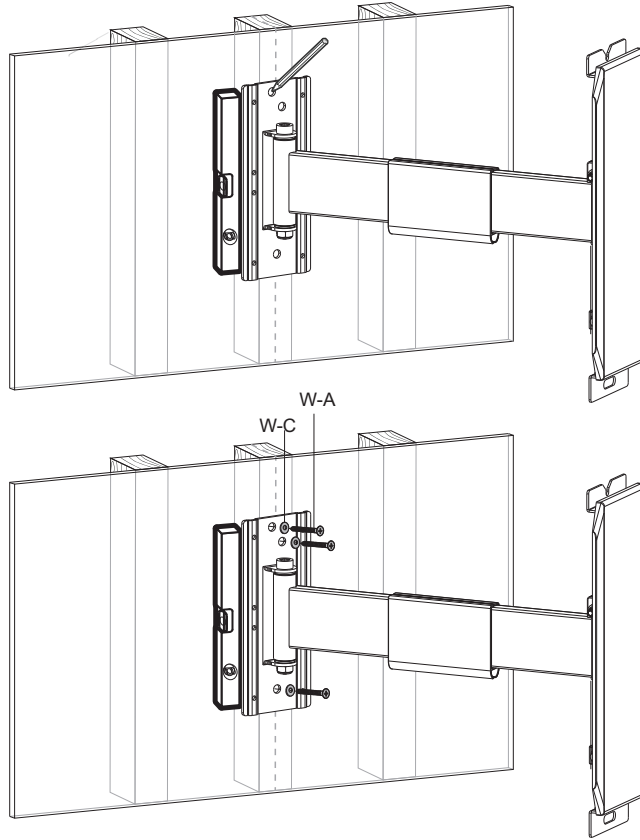
Find and mark the exact location of mounting holes



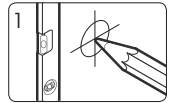
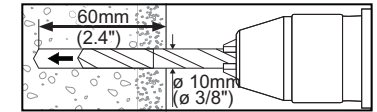
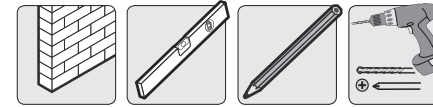
Drill pilot holes



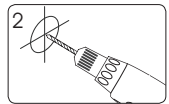
Screw the wall mount onto the wall



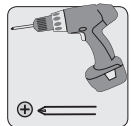
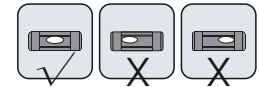
1b. For Solid Brick and Concrete Mounting



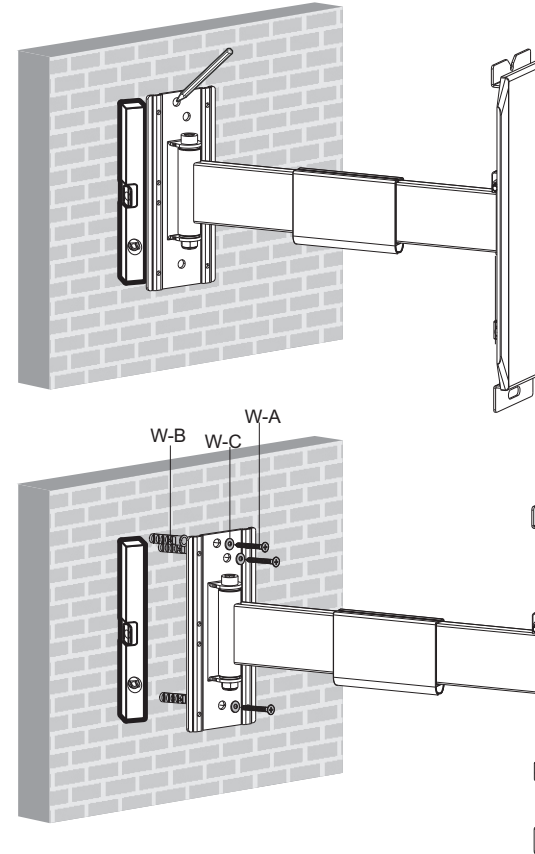
Mark the exact location of mounting holes



Drill pilot holes



Screw the wall mount onto the wall



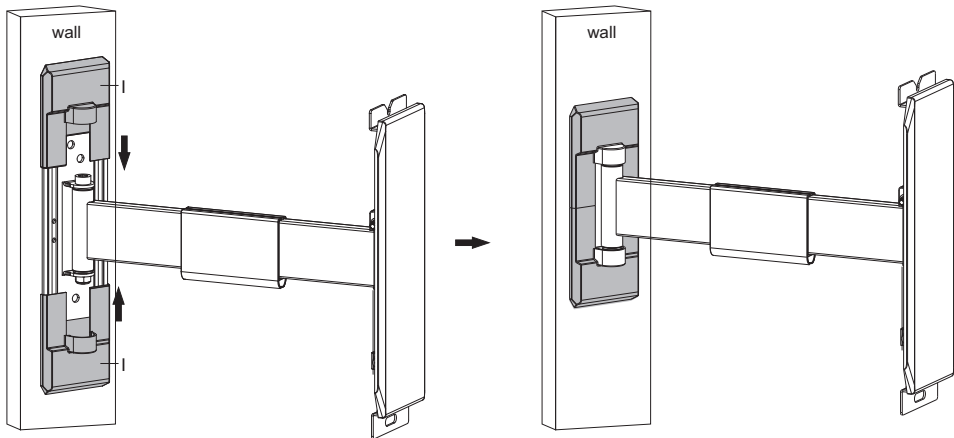
WARNING

- Make sure that mounting screws are anchored into the center of the studs. The use of a stud finder is highly recommended.
- Installers are responsible to provide hardware for other types of mounting situations.
- Installers must verify that the supporting surface will safely support the combined weight of the equipment and all attached hardware and components.

WARNING

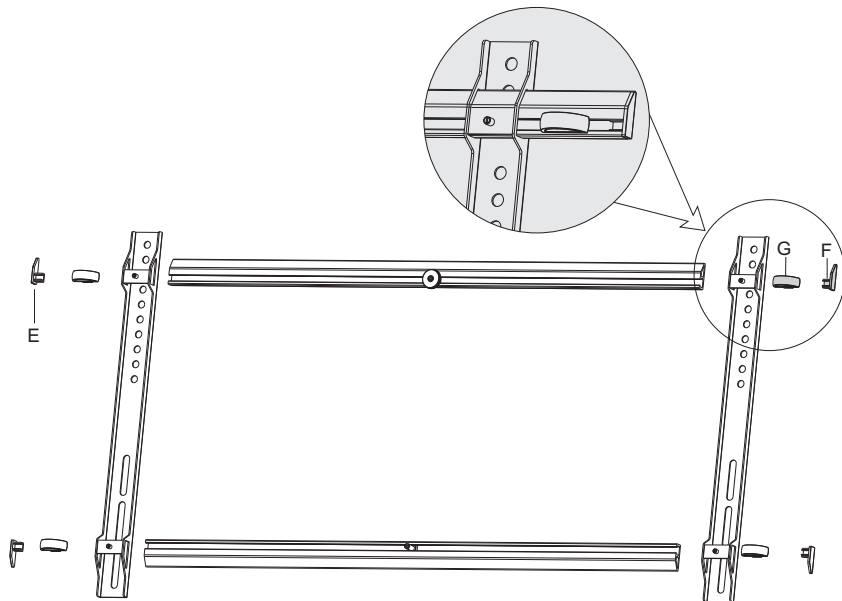
Installers must verify that the supporting surface will safely support the combined weight of the equipment and all attached hardware and components.

2. Mounting the Plastic Covers

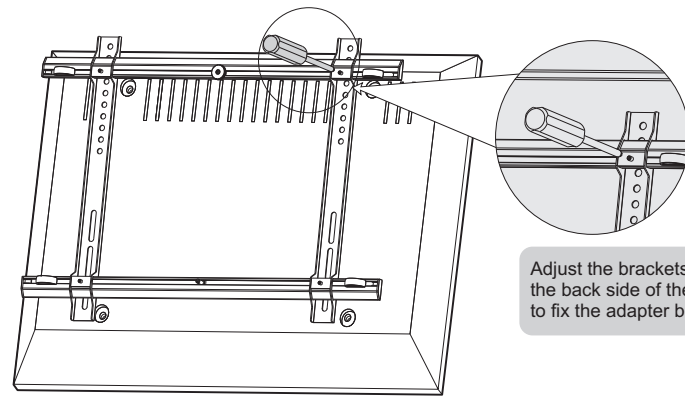
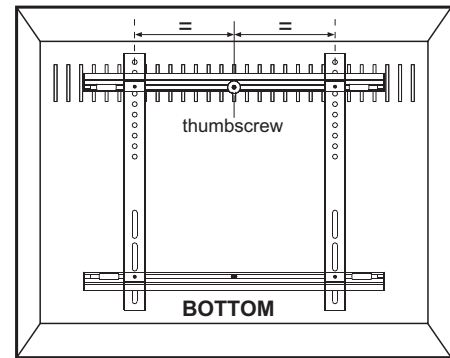


Note: Pull the articulated arm and make it vertical to wall, insert both top and bottom plastic covers

3. Assembling the Adapter Brackets and Horizontal Bars

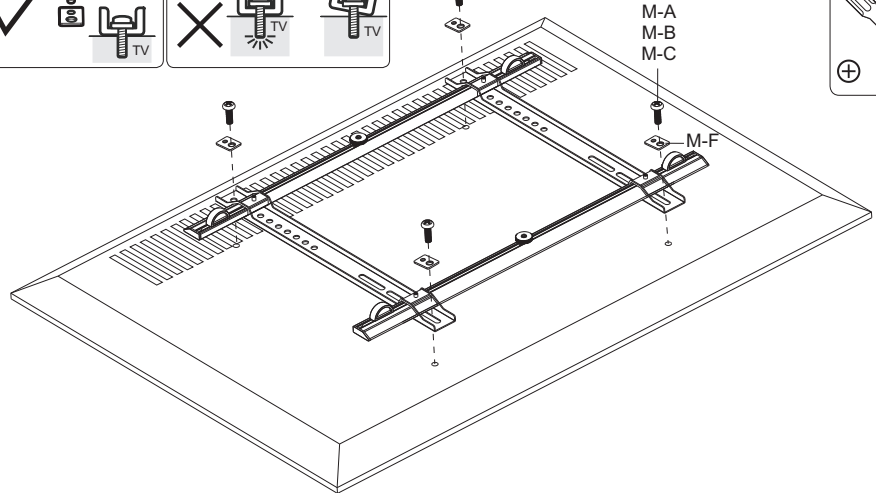
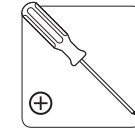


4. Installing the Adapter Brackets

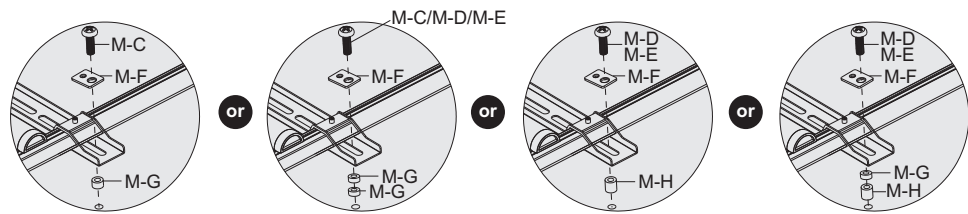
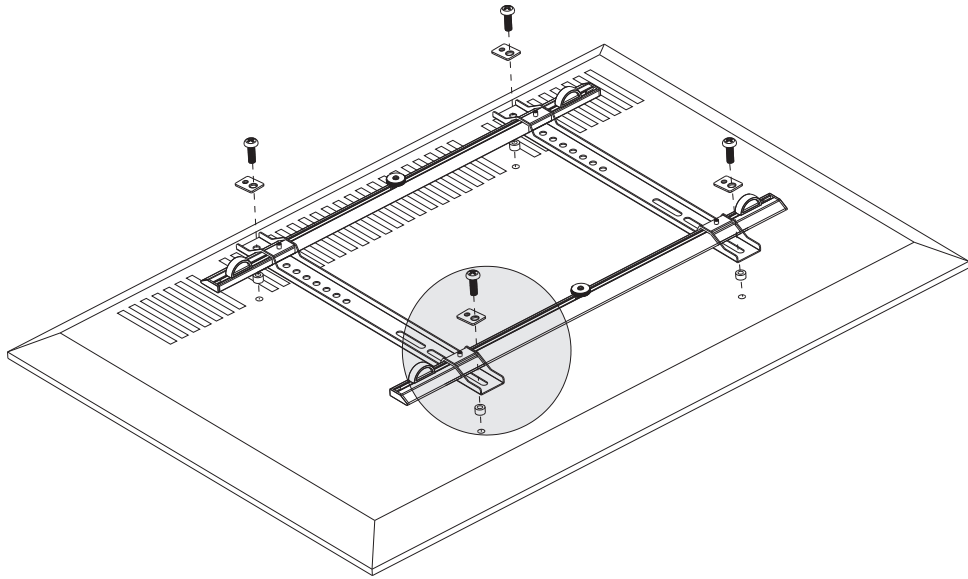
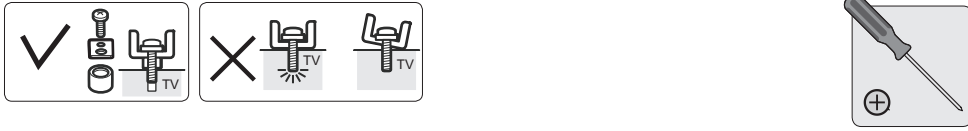


Adjust the brackets to fit mounting holes on the back side of the TV. Then tighten screws to fix the adapter brackets and horizontal bars.

4-1 For Flat Back Screens



4-2 For Recessed Back Screens or to Access A/V Inputs

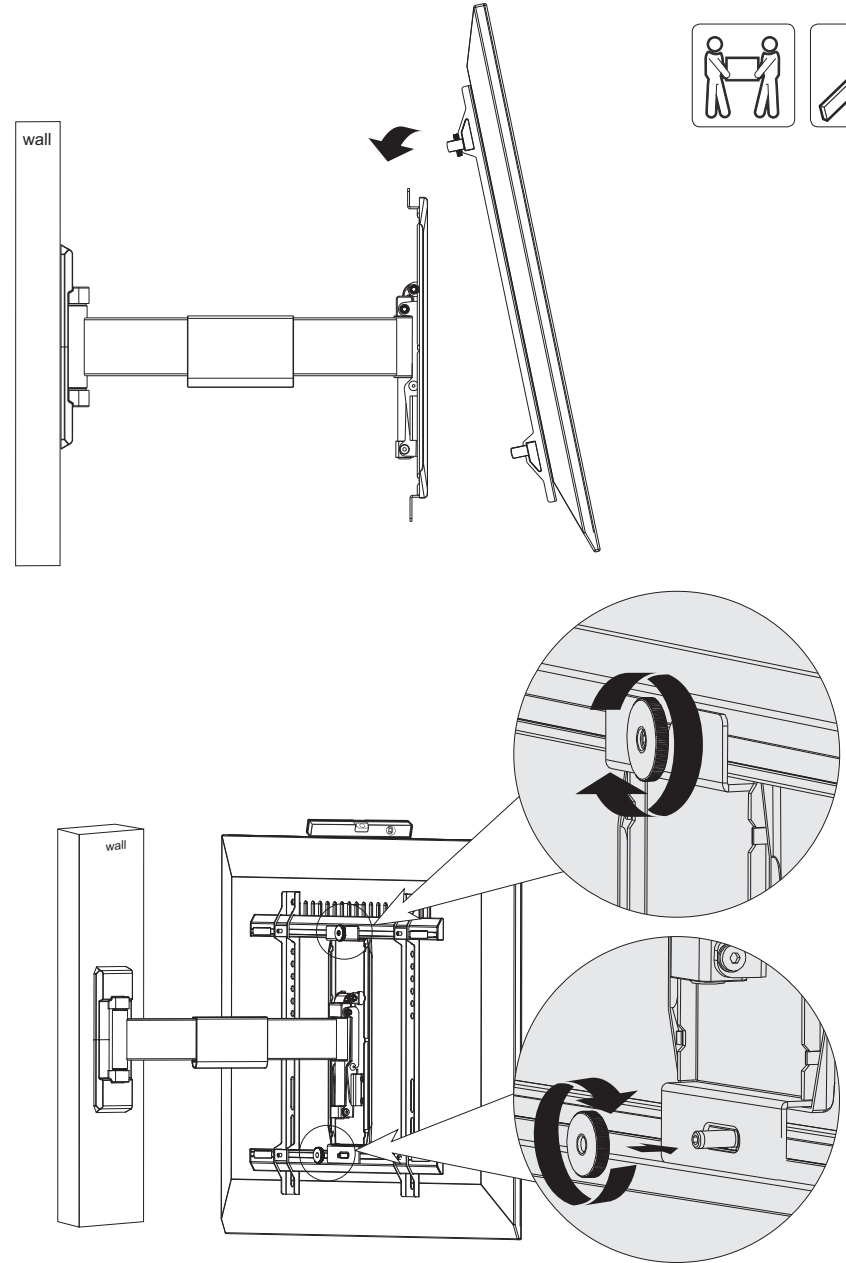
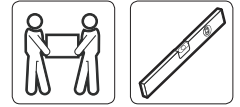


Note: Choose the appropriate screws, washers and spacers (if necessary) according to the type of screen.

- Position the adapter brackets as close as possible to the center of the display.
- Screw the adapter brackets onto the TV.

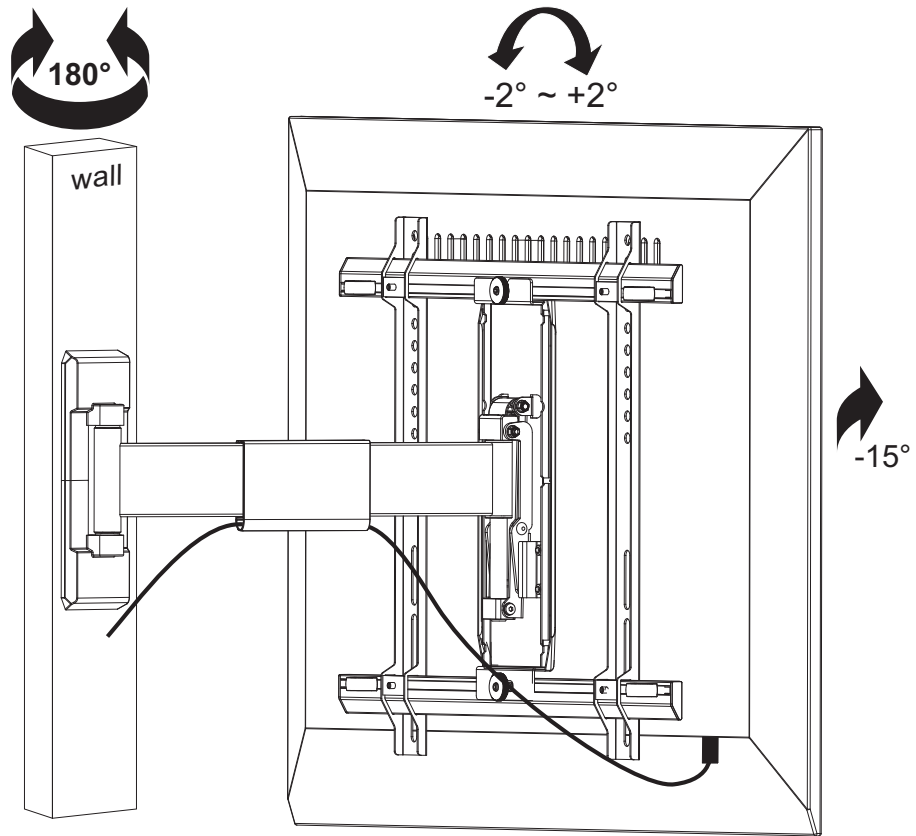
Tighten all screws but do not over tighten.

5. Hooking the TV onto the Wall Mount



- Level the TV.
- Place the lower thumbscrew; Tighten both thumbscrews.

6. Adjustment



Adjust to the desired position or tilt.

Maintenance

- Check that the bracket is secure and safe to use at regular intervals(at least every three months).
- Please contact your distributor if you have any questions.